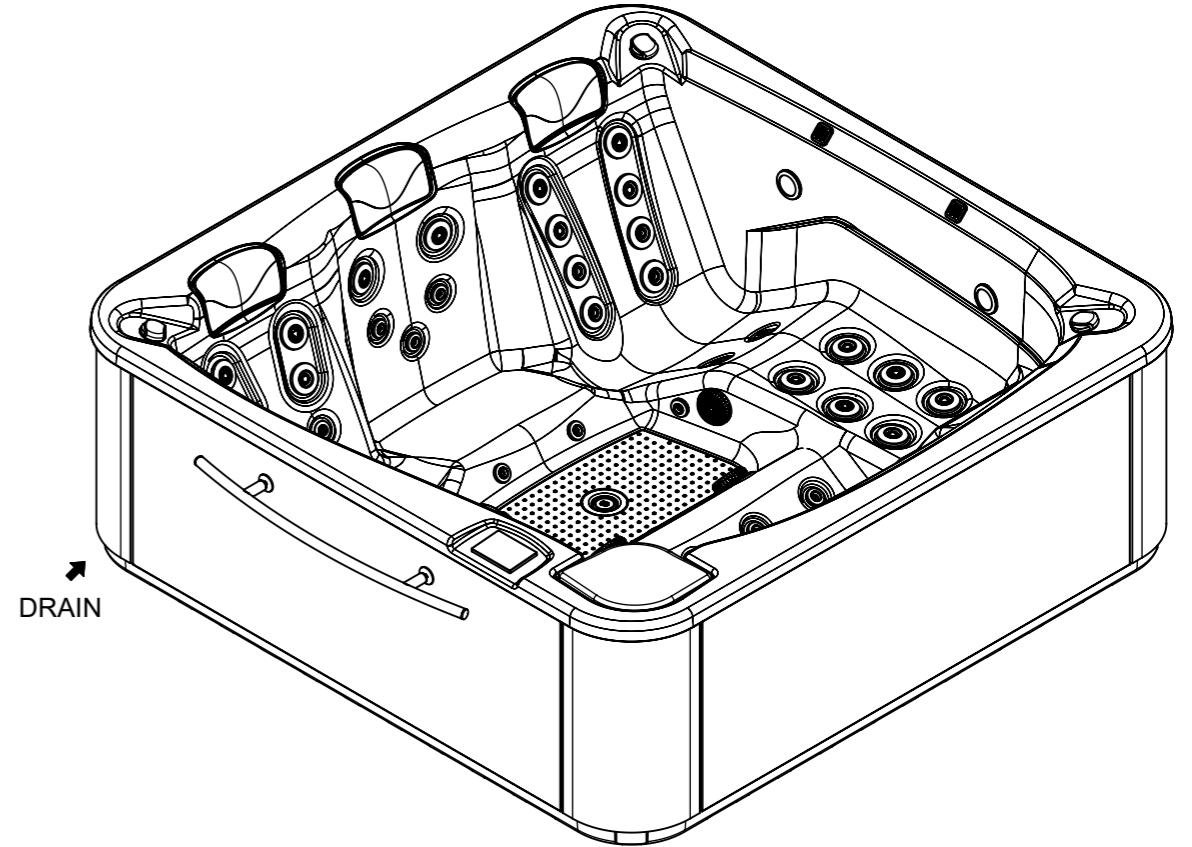
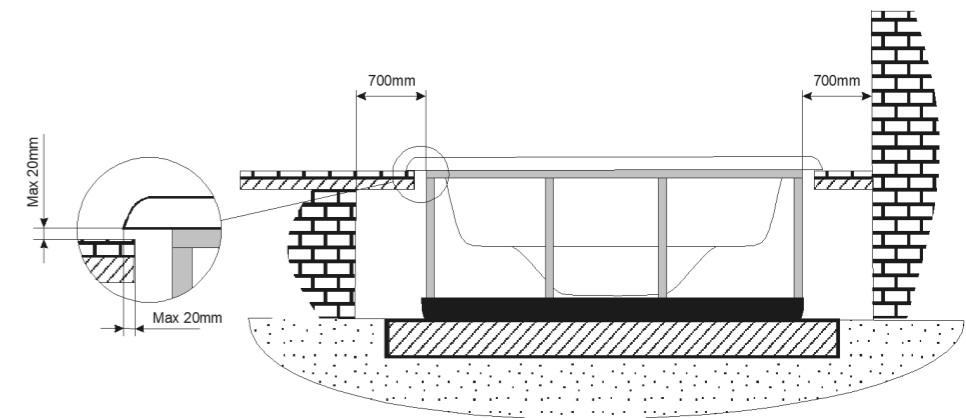


ELECTRICAL BOARD CONNECTIONS ACCESS



WARNING:
It's essential to keep a minimum clearance access of **700mm** all around.



According to our policy of continuous improvement, dimensions, features or components of this product can be partially or completely changed without prior notice.
It's Customer responsibility to verify that this is the last version of the drawing.

Revision Revisión	Date Fecha	Name Nombre	Modification Modificación

Dimensions in mm. General Tolerances +/- 10mm		COMMERCIAL	
Drawn	Date 02/05/2024	Name Paula S.	Code 77262
Checked	Date 02/05/2024	Name X. Codina	Rev. 00
Scale 1:15	General Tolerance DIN 7168 ISO 2768g		Size A3
Sheet 1/1			First Angle Projection