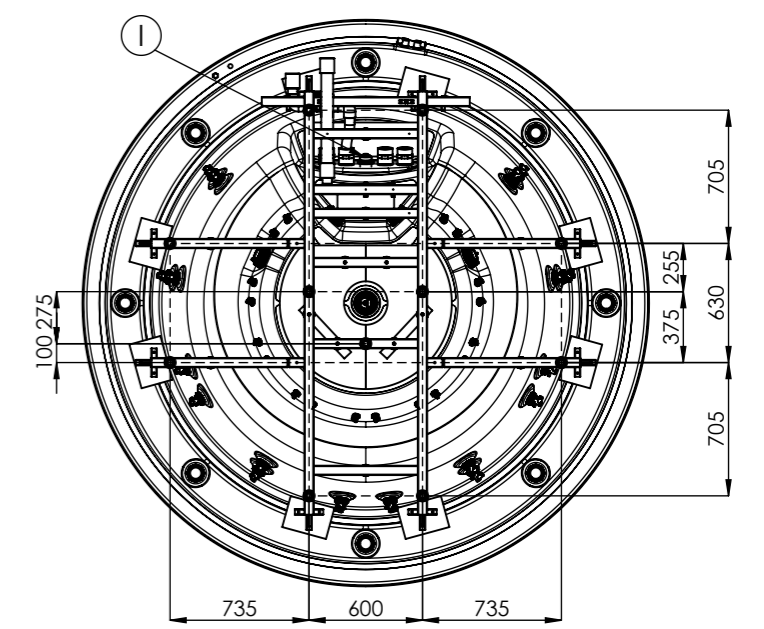
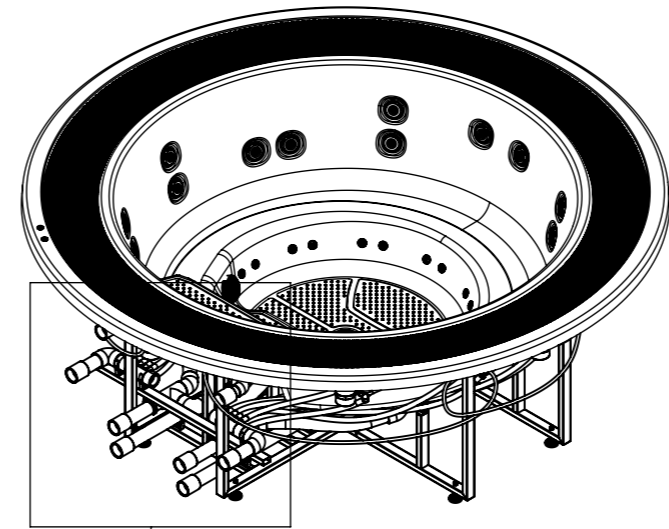
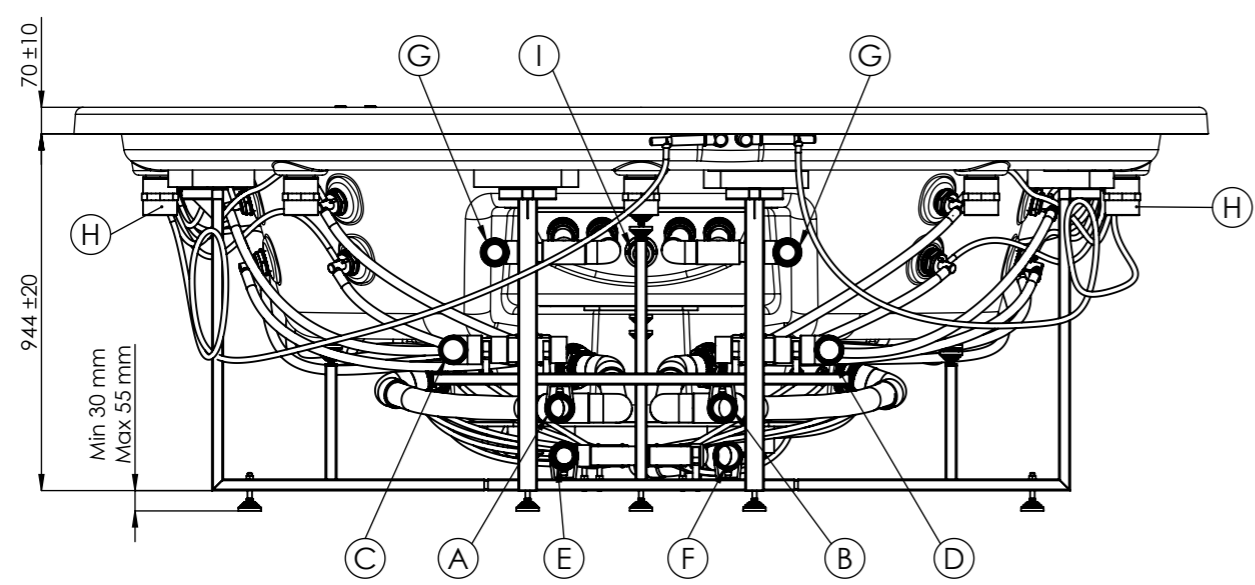
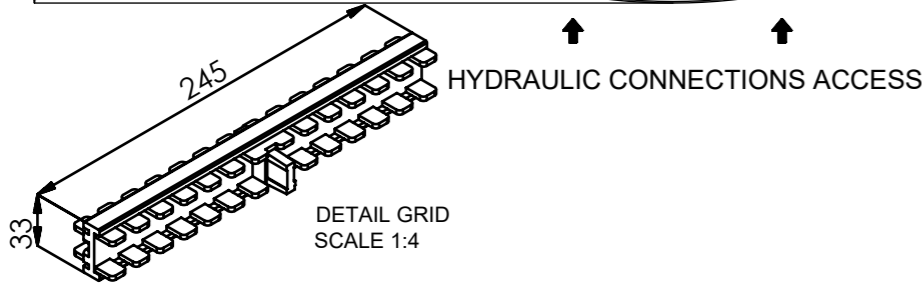
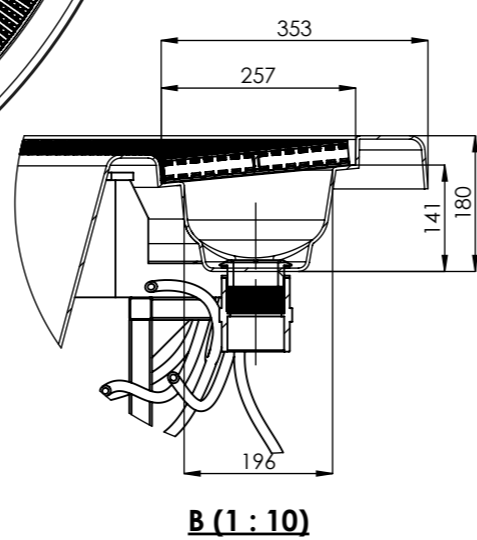
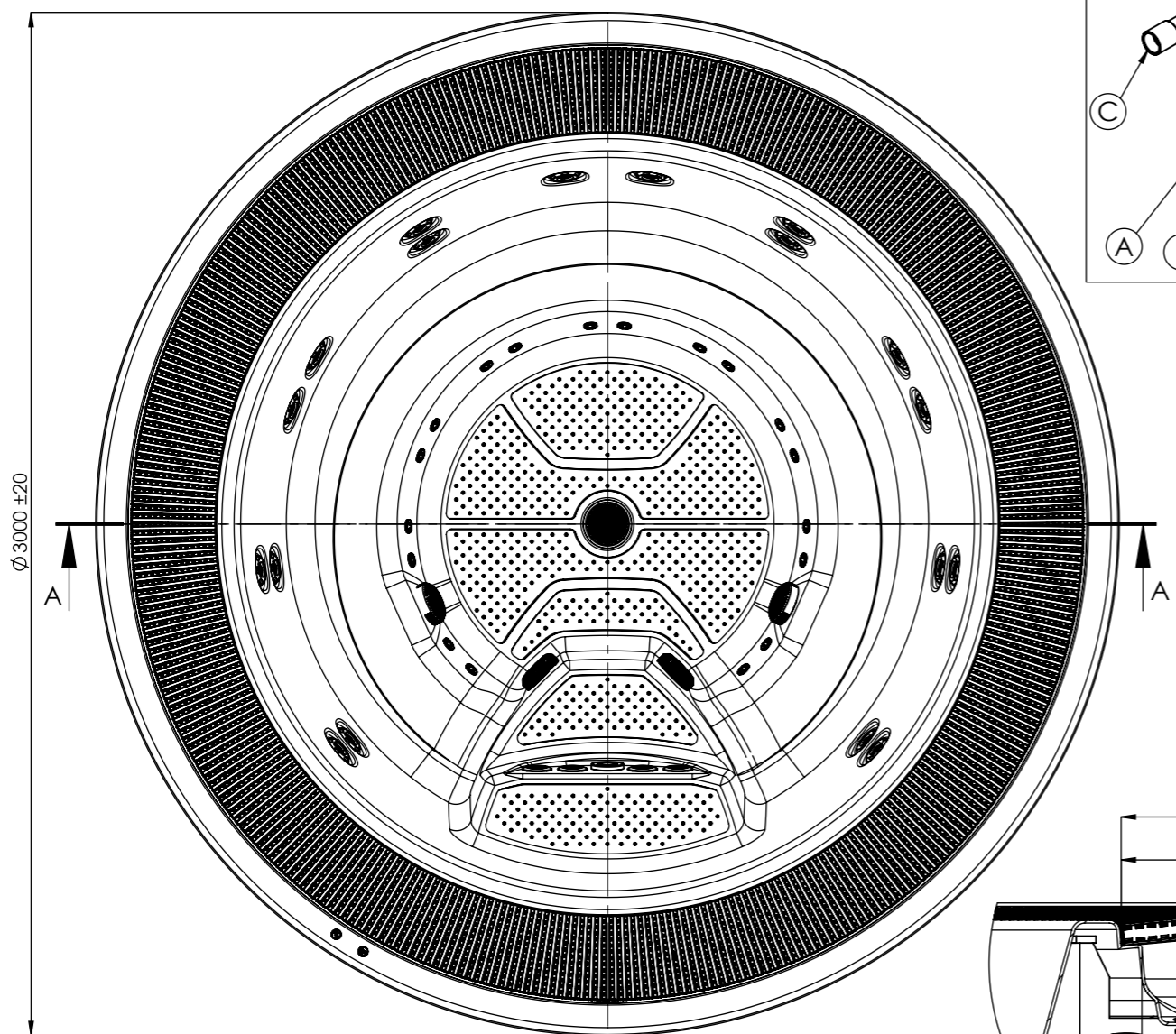
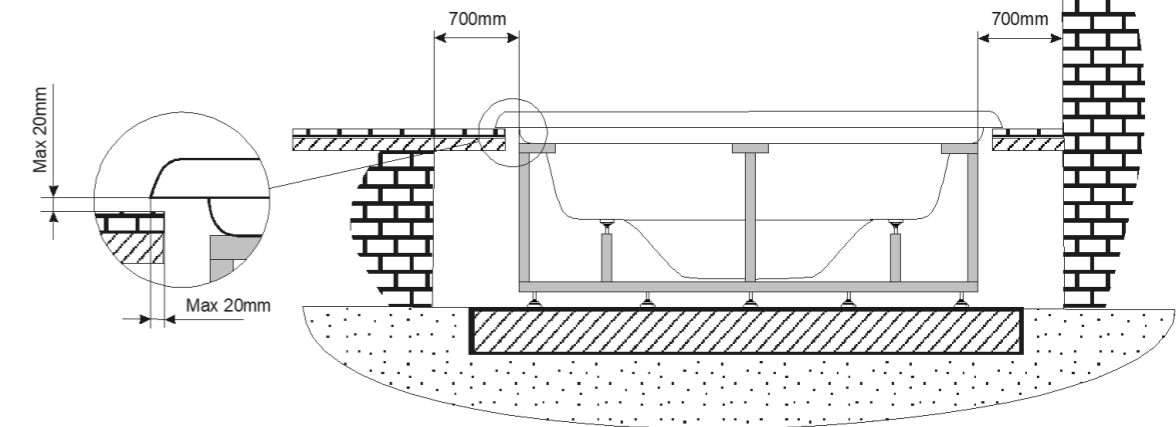
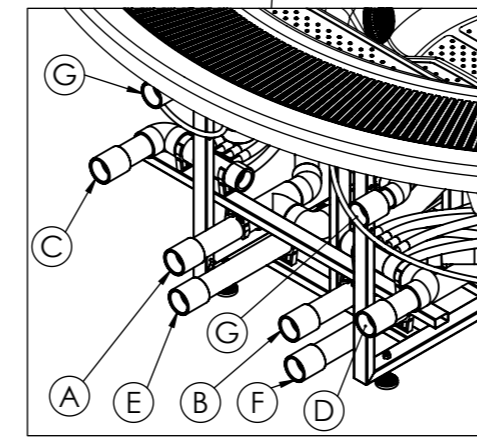


		40769
A	Suction-Water Massage Pump 1	1x Ø63 FEMALE SOLVENT SOCKET
B	Suction-Water Massage Pump 2	1x Ø63 FEMALE SOLVENT SOCKET
C	Return-Water Massage Pump 1	1x Ø63 FEMALE SOLVENT SOCKET
D	Return-Water Massage Pump 2	1x Ø63 FEMALE SOLVENT SOCKET
E	Return-Air Massage	1x Ø63 FEMALE SOLVENT SOCKET
F	Suction/Return-Filtration Pump Bottom Spa	1x Ø63 FEMALE SOLVENT SOCKET
G	Return-Filtration Pump Inlets	2x Ø63 FEMALE SOLVENT SOCKET
H	Overflow Drains	8x Ø75 FEMALE SOLVENT SOCKET
I	Light	



WARNING:
It's essential to keep a minimum clearance access of 700mm all around. Minimum depth of spa hole 920 mm.



According to our policy of continuous improvement, dimensions, features or components of this product can be partially or completely changed without prior notice.
It's Customer responsibility to verify that this is the last version of the drawing.

04	25/06/2020	A. Miquel	New spa mould 2020
05	15/04/2024	A Arconada	Actualitzem plantilla caixetí
Revision	Date Fecha	Name Nombre	Modification Modificació
Dimensions in mm. General Tolerances +/- 10mm			COMMERCIAL PUBLIC RANGE
Drawn	22/04/2014	A. Miquel	Code 40769
Checked	15/04/2024	X. Codina	
Scale 1:20	General Tolerance		Rev. 05
Sheet 1/1	DIN 7168 ISO 2768g		
			Size A3
			First Angle Projection
Property of IBERSPA S.L. Avda. Pla d'Urgell 2-8 25200 Cervera, Spain. Don't use without permission. Keep this information confidential and use it solely for the permitted purpose.			