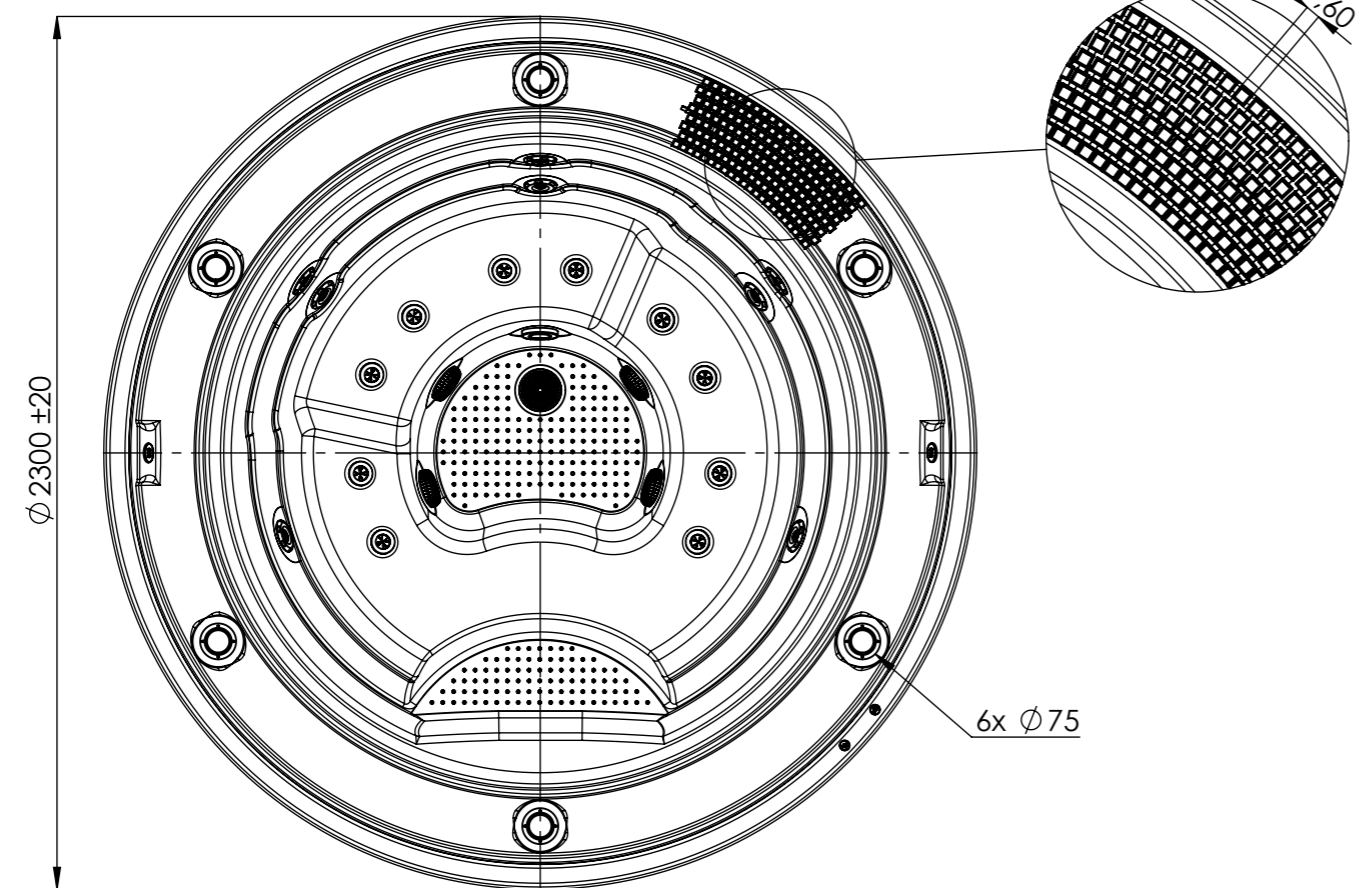
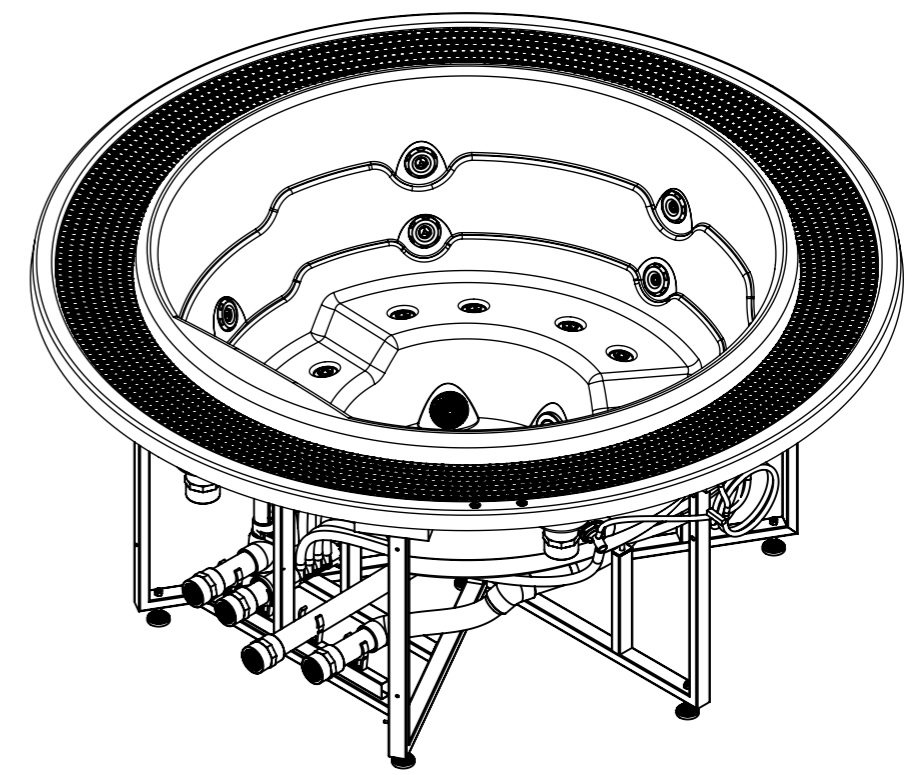
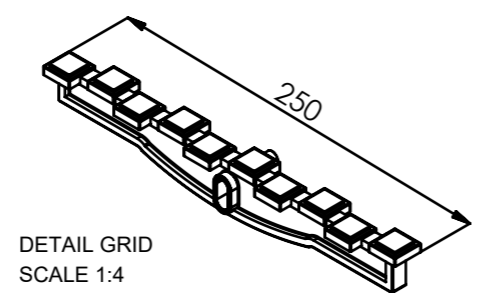
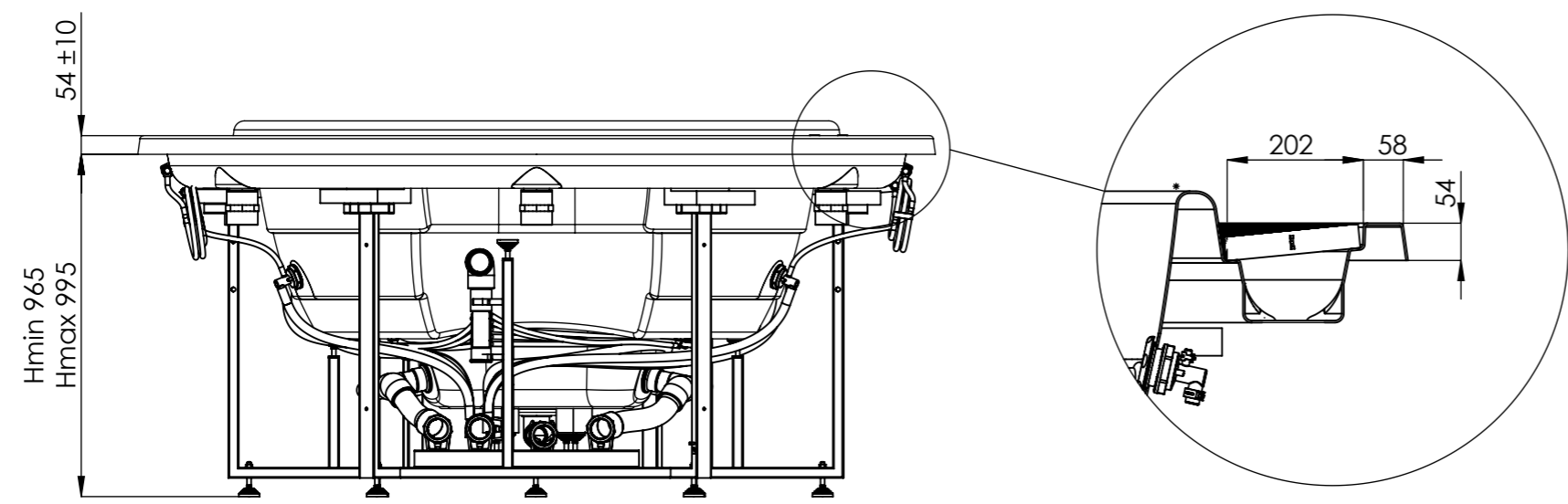


General specifications	
Spa weight (dry)	164 Kg
Spa weight (filled)	1284 Kg
Package dimension	1200x1420x2480mm
Package weight	279 Kg



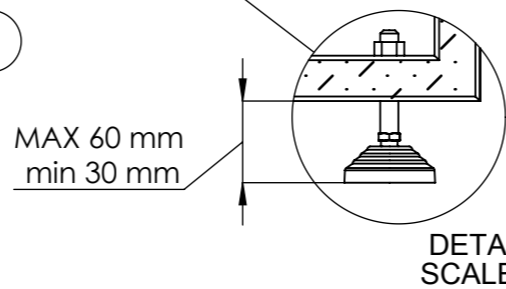
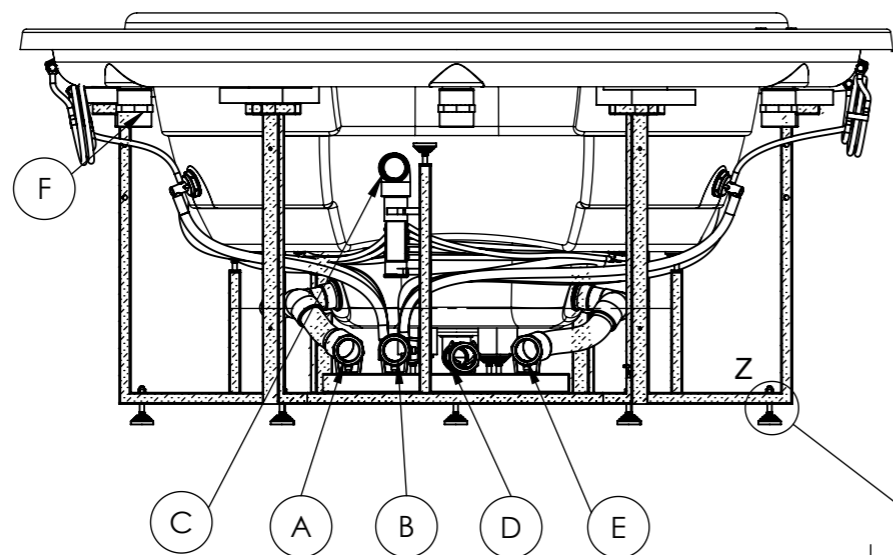
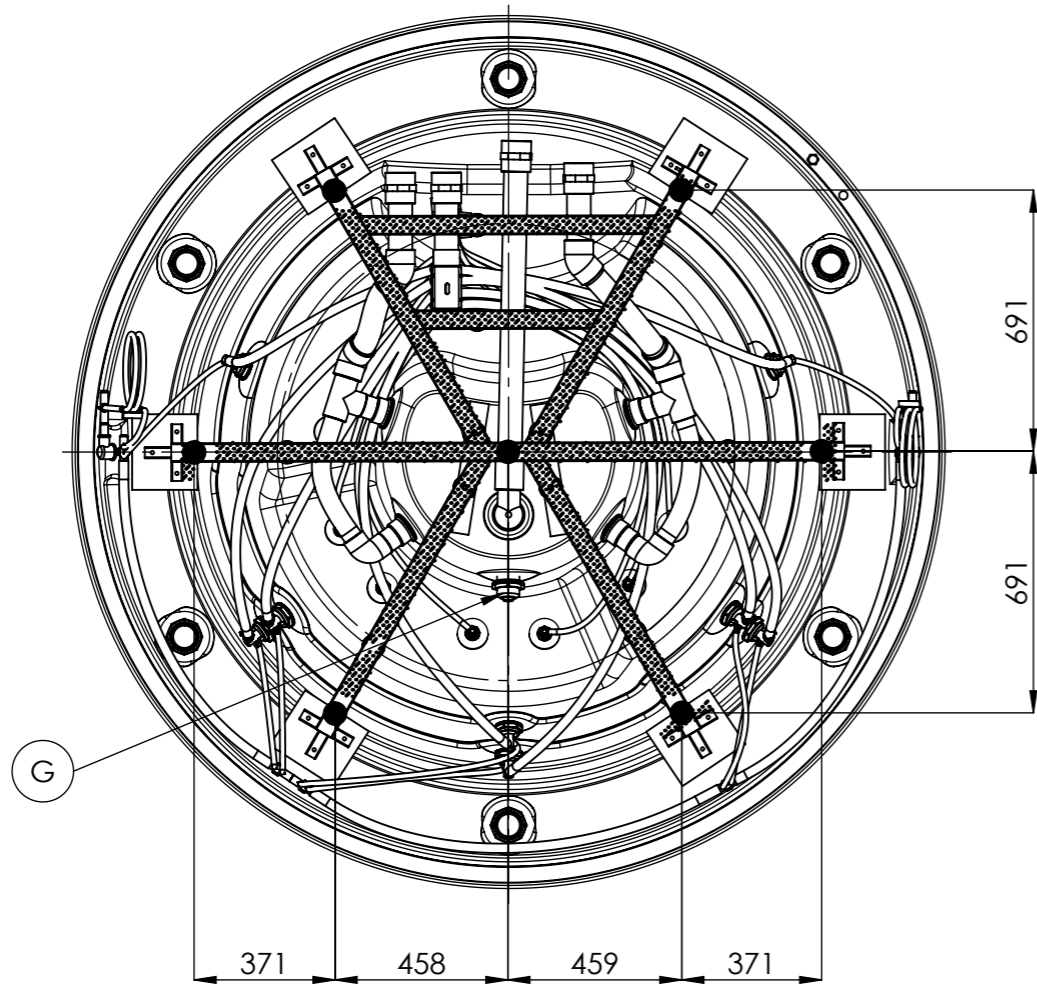
↑ ↑  
HYDRAULIC CONNECTIONS ACCESS

According to our policy of continuous improvement, dimensions, features or components of this product can be partially or completely changed without prior notice.  
It's Customer responsibility to verify that this is the last version of the drawing.

Revision	Date	Fecha	Name	Nombre	Modification	Modificaci3n
08	13/02/2020		A. Miquel		Spa geometry changed	
09	16/04/2024		A Arconada		Modifiquem tipus reixeta	

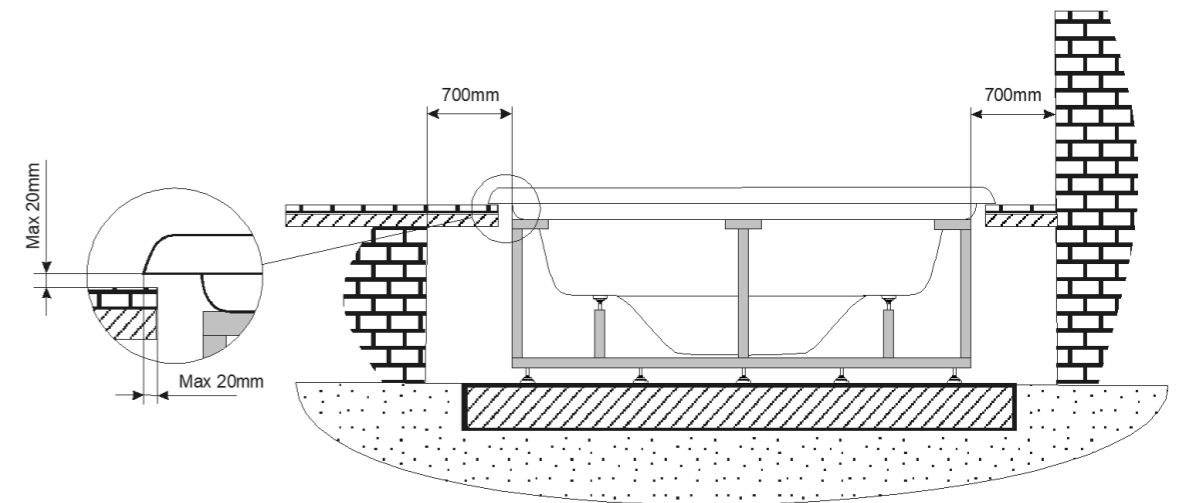
Dimensions in mm. General Tolerances +/- 10mm			<b>COMMERCIAL PUBLIC RANGE</b>		
Drawn	Date	Name		Code	Rev.
Checked	Date	Name			
Scale 1:20	General Tolerance		45215	09	Size A3
Sheet 1/1	DIN 7168 ISO 2768g				

A	Suction-Water Massage Pump 1	2" BSP FEMALE THREAD
B	Return-Water Massage Pump 1	2" BSP FEMALE THREAD
C	Return-Air Massage	2" BSP FEMALE THREAD
D	Return-Filtration Pump (Bottom Drain)	2" BSP FEMALE THREAD
E	Suction-Filtration Pump	2" BSP FEMALE THREAD
F	Overflow Drains (6x)	Ø 75 mm SOLVENT SOCKET
G	Light (Halogen )	1 un.



**WARNING:**

It's essential to keep a minimum clearance access of **700mm** all around. Minimum depth of spa hole **920 mm**.



According to our policy of continuous improvement, dimensions, features or components of this product can be partially or completely changed without prior notice. It's Customer responsibility to verify that this is the last version of the drawing.

Revision	Date	Fecha	Name	Nombre	Modification	Modificación
08	13/02/2020		A. Miquel		Spa geometry changed	
09	16/04/2024		A Arconada		Modifiquem tipus reixeta	

Dimensions in mm. General Tolerances +/- 10mm			<b>COMMERCIAL PUBLIC RANGE</b>			
Drawn	16/09/2013	M. Baraut		Code <b>45215</b>	Rev. <b>09</b>	Size <b>A3</b>
Checked	16/04/2024	X. Codina				
Scale	1:20	General Tolerance			First Angle Projection	First Angle Projection
Sheet	1/1	DIN 7168 ISO 2768g				

Property of IBERSPA S.L. Avda. Pla d'Urgell 2-8 25200 Cervera, Spain. Don't use without permission. Keep this information confidential and use it solely for the permitted purpose.