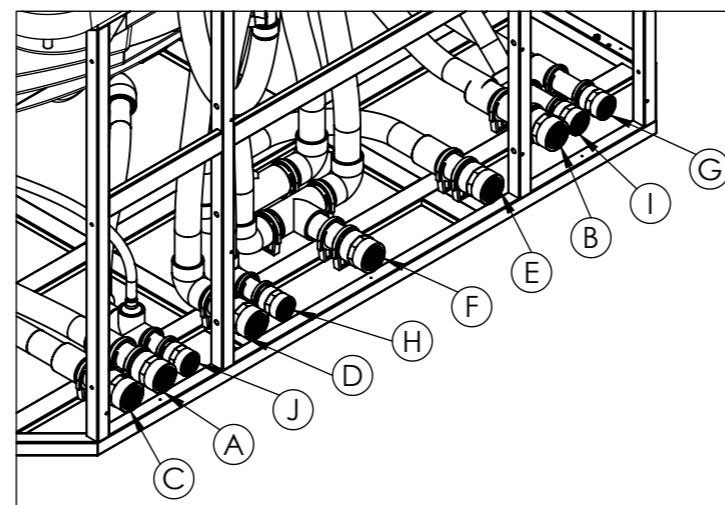
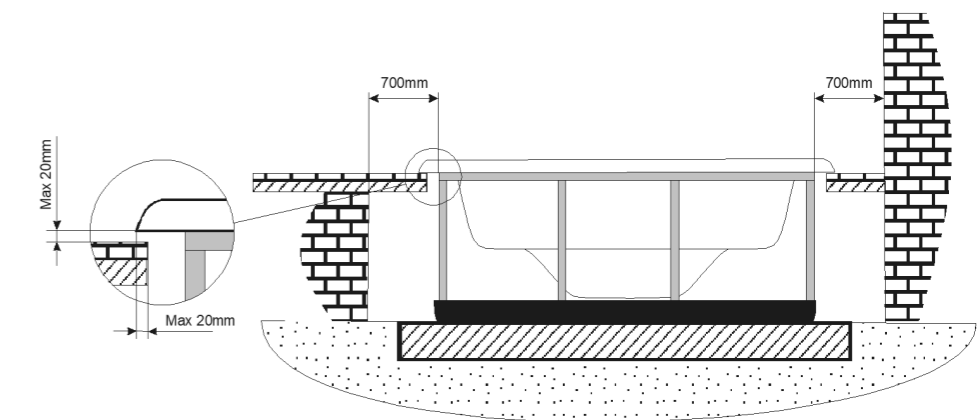


A	Suction Water Massage Pump 1	Ø 63 FEMALE SOCKET
B	Suction Water Massage Pump 2	Ø 63 FEMALE SOCKET
C	Suction Water Massage Pump 3	Ø 63 FEMALE SOCKET
D	Return Water Massage Pump 1	Ø 63 FEMALE SOCKET
E	Return Water Massage Pump 2	Ø 63 FEMALE SOCKET
F	Return Water Massage Pump 3	Ø 63 FEMALE SOCKET
G	Suction Filtration Pump	Ø 50 FEMALE SOCKET
H	Return Filtration Pump Inlets	Ø 50 FEMALE SOCKET
I	Filter pump suction vacuum cleaner	Ø 50 FEMALE SOCKET
J	Spa Drain	Ø 50 FEMALE SOCKET

WARNING:
It's essential to keep a minimum clearance access of **700mm** all around.



SCALE 1:18



According to our policy of continuous improvement, dimensions, features or components of this product can be partially or completely changed without prior notice.
It's Customer responsibility to verify that this is the last version of the drawing.

Revision	Date	Fecha	Name	Nombre	Modification	Modificación
04	25/08/2020		ERDS (OF)		Changes due to new spa tub design	
00	30/01/2024		A Arconada		Afegim pla inclinat botonera	
01	30/01/2024		Anna A.		Afegim pla inclinat botonera	

General specifications	
Spa weight (empty)	1.177 Kg
Spa weight (full)	9.677 Kg

Dimensions in mm. General Tolerances +/- 10mm			COMMERCIAL		
Drawn	Date	Name	Code	Rev.	Size
Checked	08/05/2014	I. Pozo	65353-AV	01	A3
Scale 1:25	30/01/2024	X. Codina			
Sheet 1/1	General Tolerance DIN 7168 ISO 2768g				