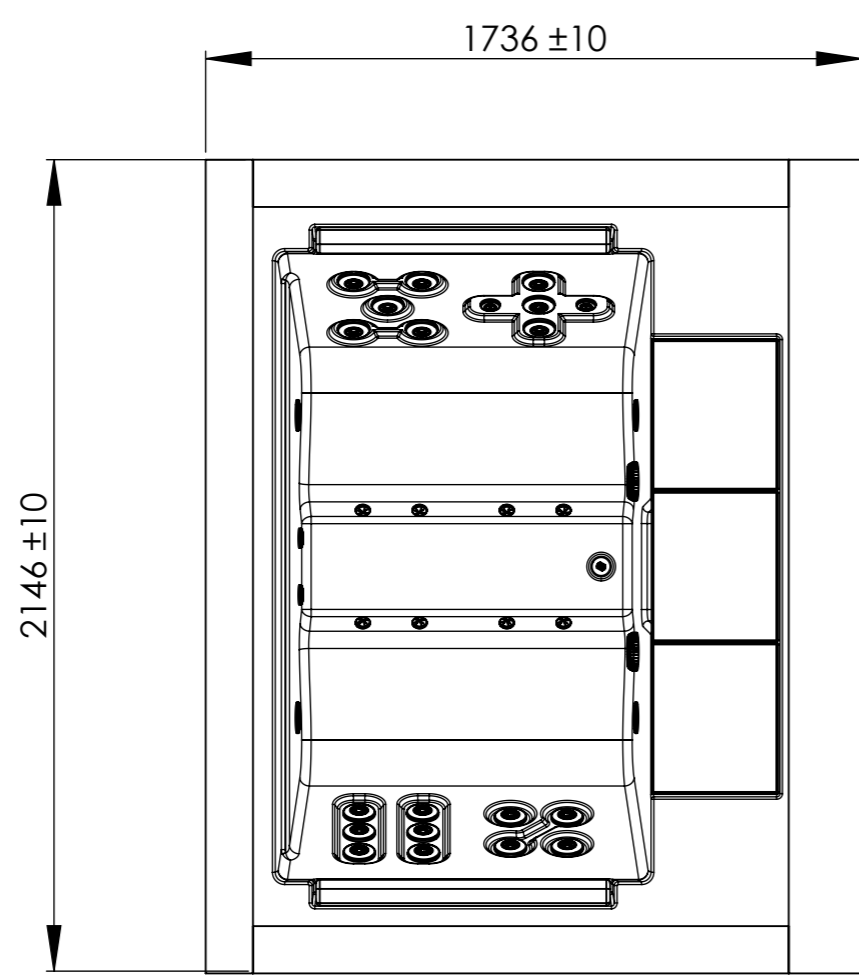
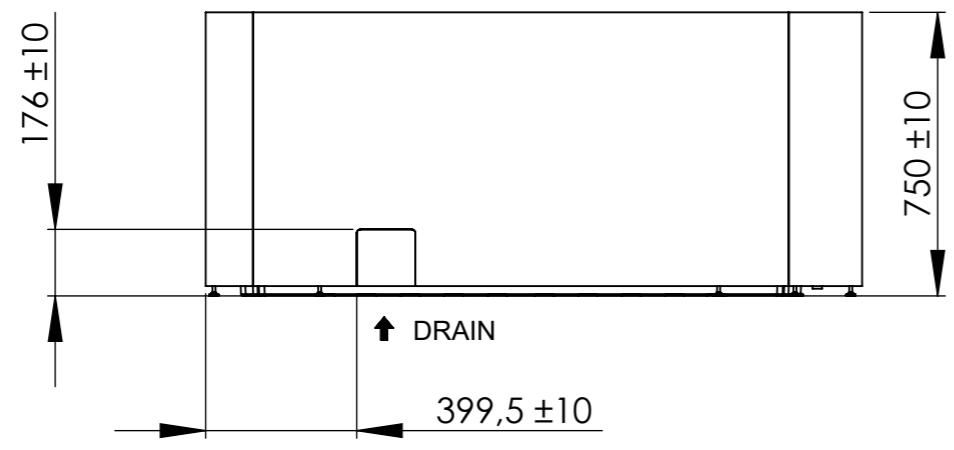
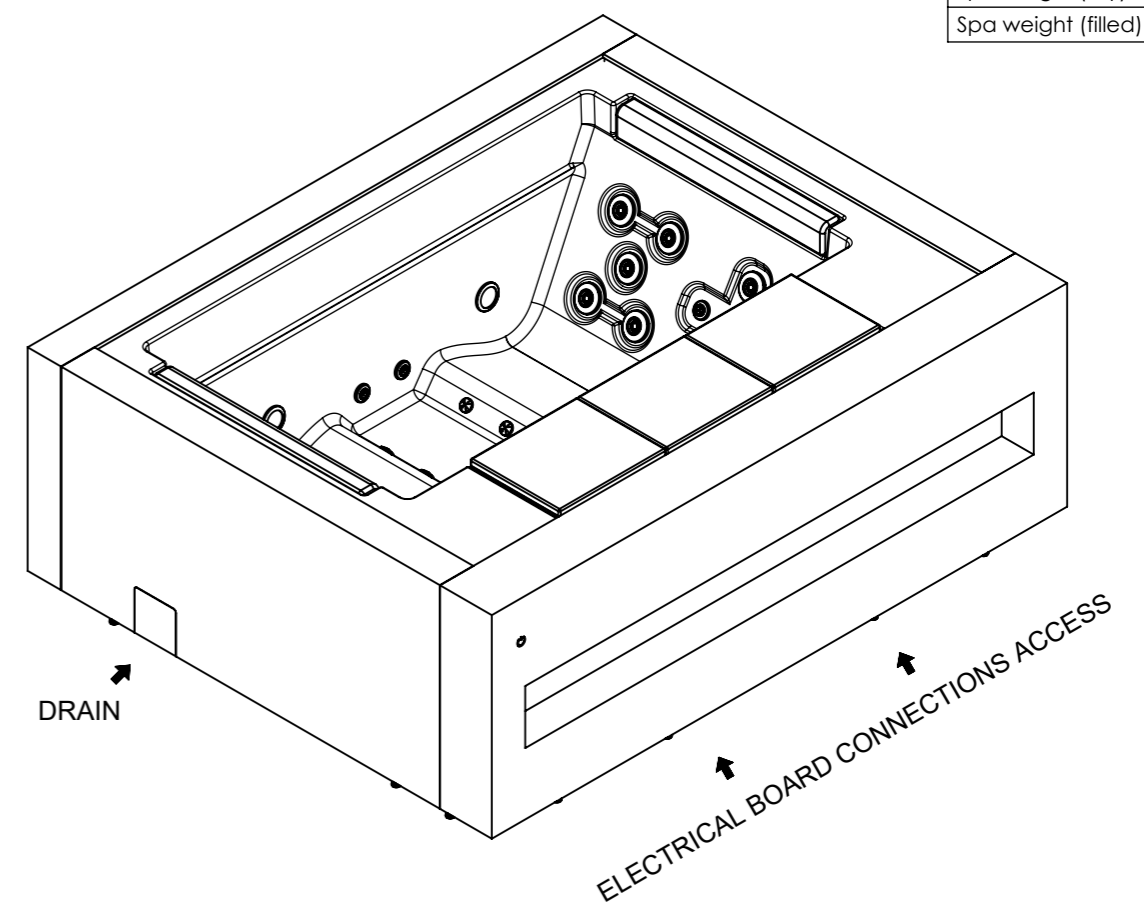


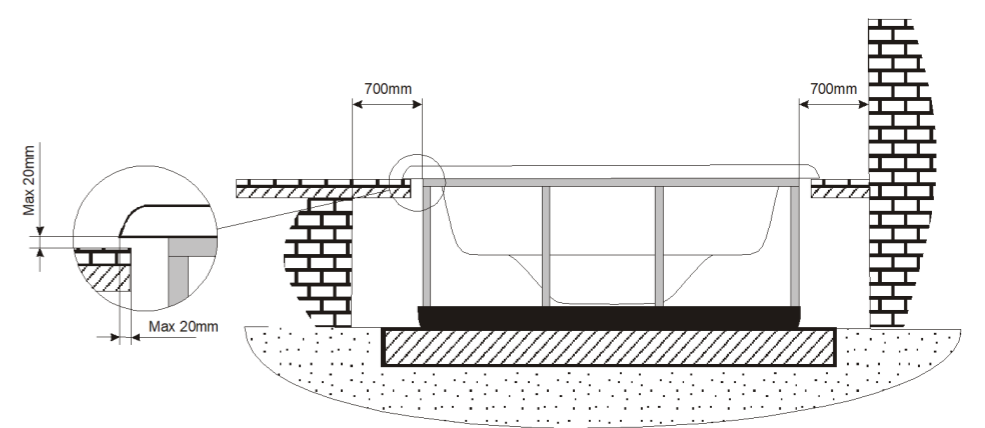
General specifications	
Spa weight (dry)	480 kg
Spa weight (filled)	1000 kg




ELECTRICAL BOARD CONNECTIONS ACCESS



WARNING:
It's essential to keep a minimum clearance access of **700mm** all around.



According to our policy of continuous improvement, dimensions, features or components of this product can be partially or completely changed without prior notice. It's Customer responsibility to verify that this is the last version of the drawing

01	17/10/2019	ERDS(OF)	Update drawing due to changes in spa.							
Change No.	Date	Name	Modification							
Remarks							COMMERCIAL			
Dimensions in mm. General Tolerances +/- 10mm										
Drawn	17/10/2019	ERDS (OF)					71464		Rev. 01	First Angle Projection
Checked	17/10/2019	V.Saiz								
Scale	1:20		General Tolerance		DIN 7168 ISO 2768g					
Sheet	1/2									