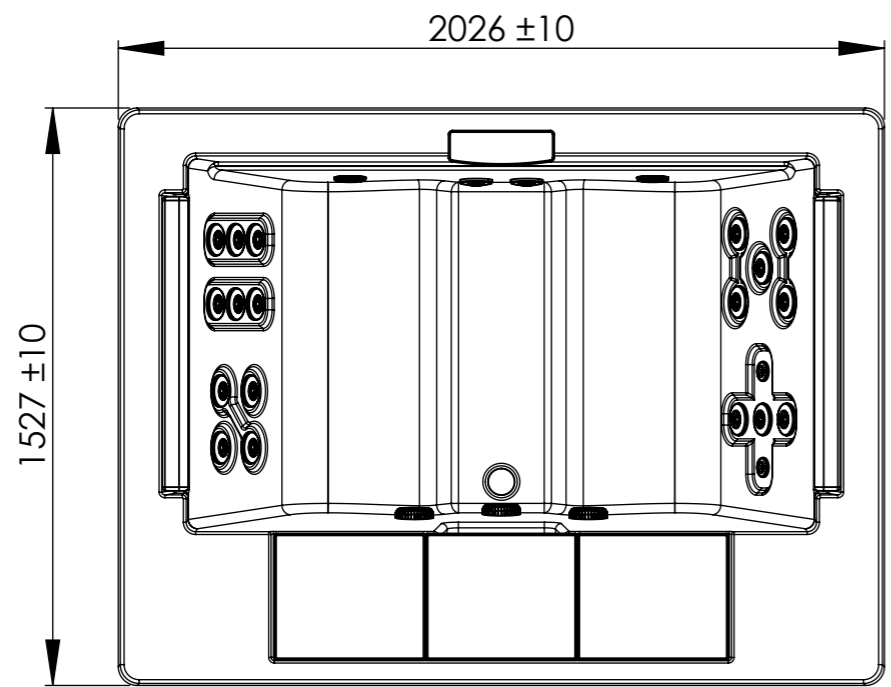
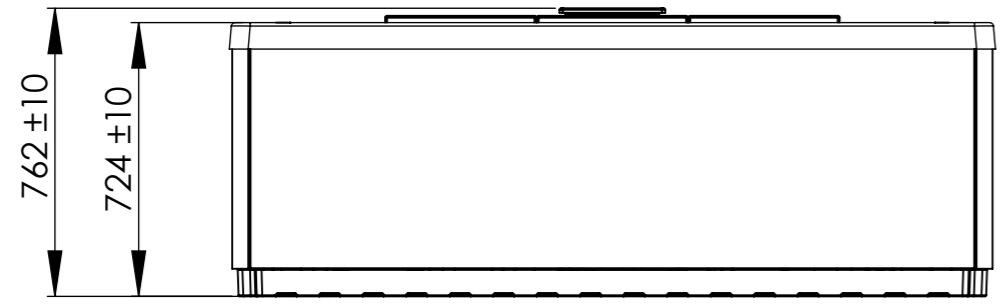
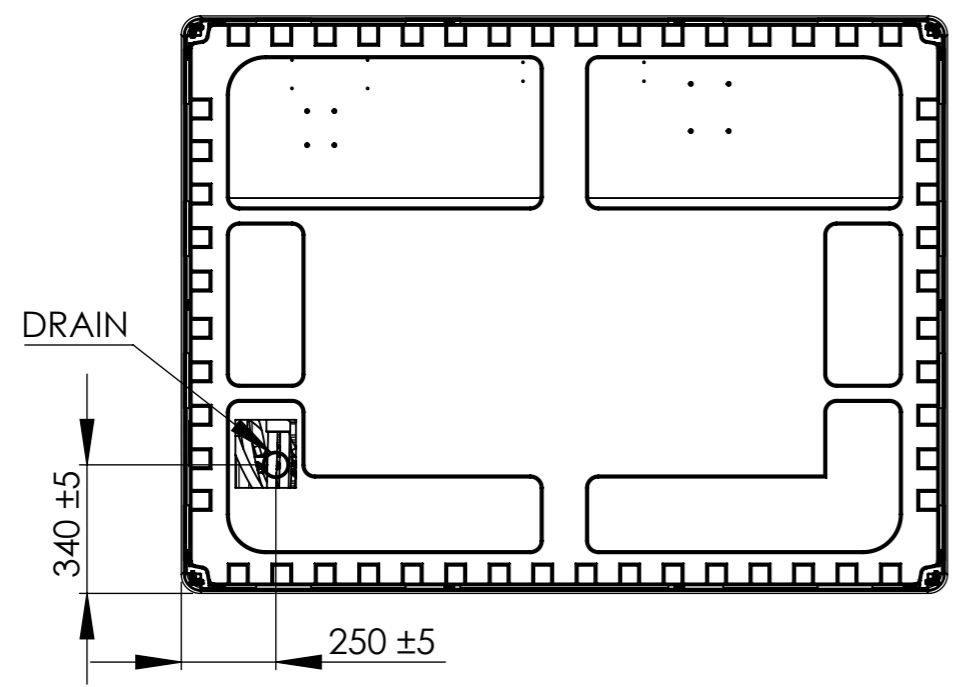
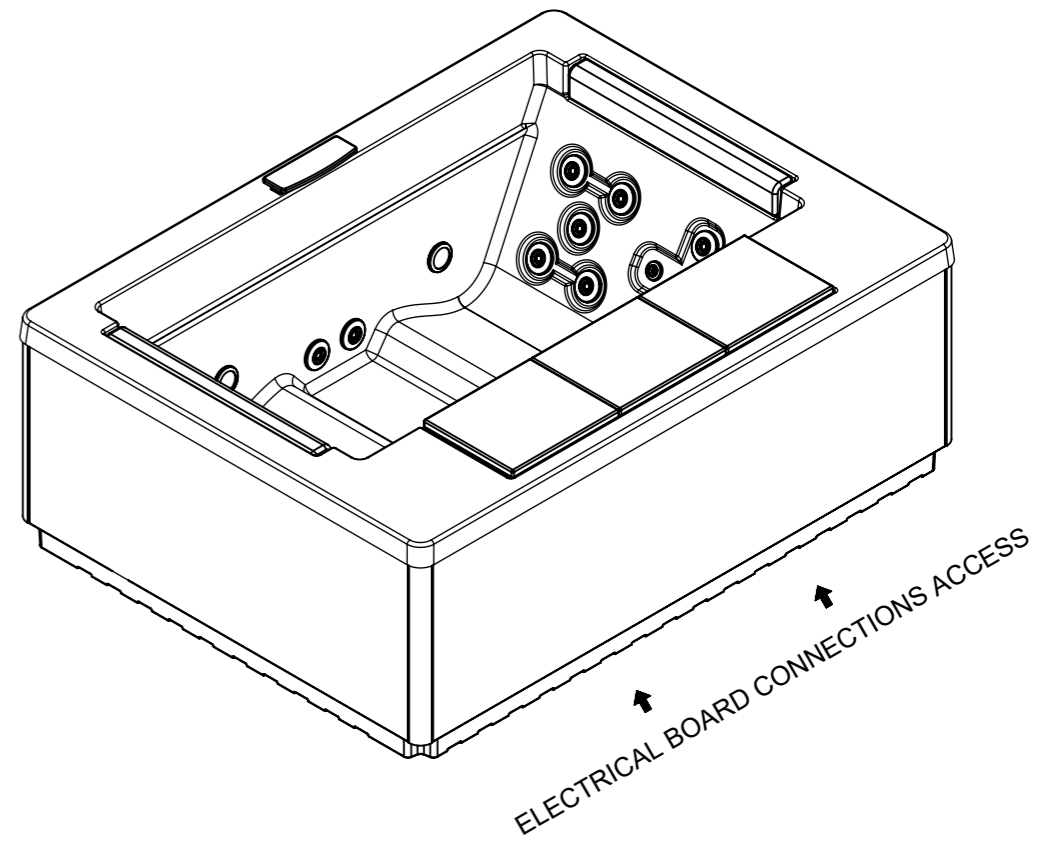


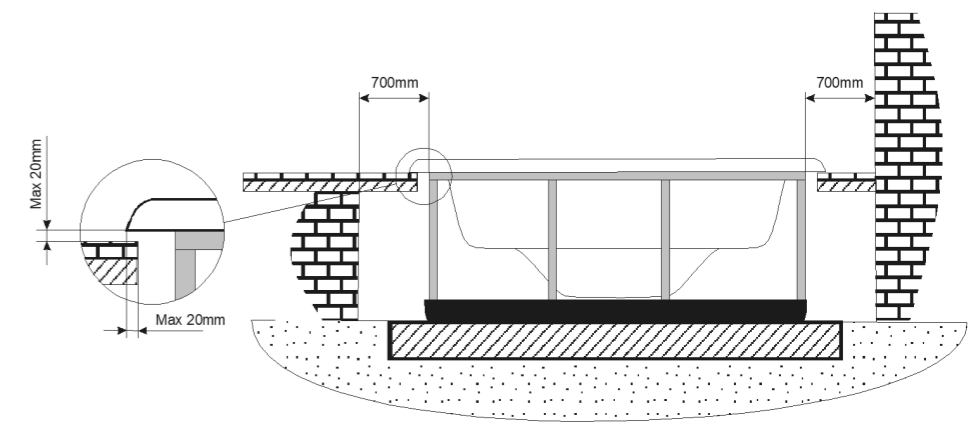
General specifications	
Spa weight (dry)	257 kg
Spa weight (filled)	777 kg



↑                      ↑  
ELECTRICAL BOARD CONNECTIONS ACCESS



**WARNING:**  
It's essential to keep a minimum clearance access of **700mm** all around.



*According to our policy of continuous improvement, dimensions, features or components of this product can be partially or completely changed without prior notice.  
It's Customer responsibility to verify that this is the last version of the drawing.*

01	20/03/2024	Paula S.	Afegim venturi al spa i la botonera la posicionem a la part esquerra		
Revision Revisión	Date Fecha	Name Nombre	Modification Modificació		
Dimensions in mm. General Tolerances +/- 10mm				<b>COMMERCIAL</b>	
	Date	Name		Code <b>71463</b>	Rev. <b>01</b>
Drawn	14/10/2019	A. Miquel			
Checked	20/03/2024	X. Codina			
Scale 1:20	General Tolerance			Size <b>A3</b>	First Angle Projection
Sheet 1/1	DIN 7168 ISO 2768g				
Property of IBERSPA S.L. Avda. Pla d'Urgell 2-8 25200 Cervera, Spain. Don't use without permission. Keep this information confidential and use it solely for the permitted purpose.					