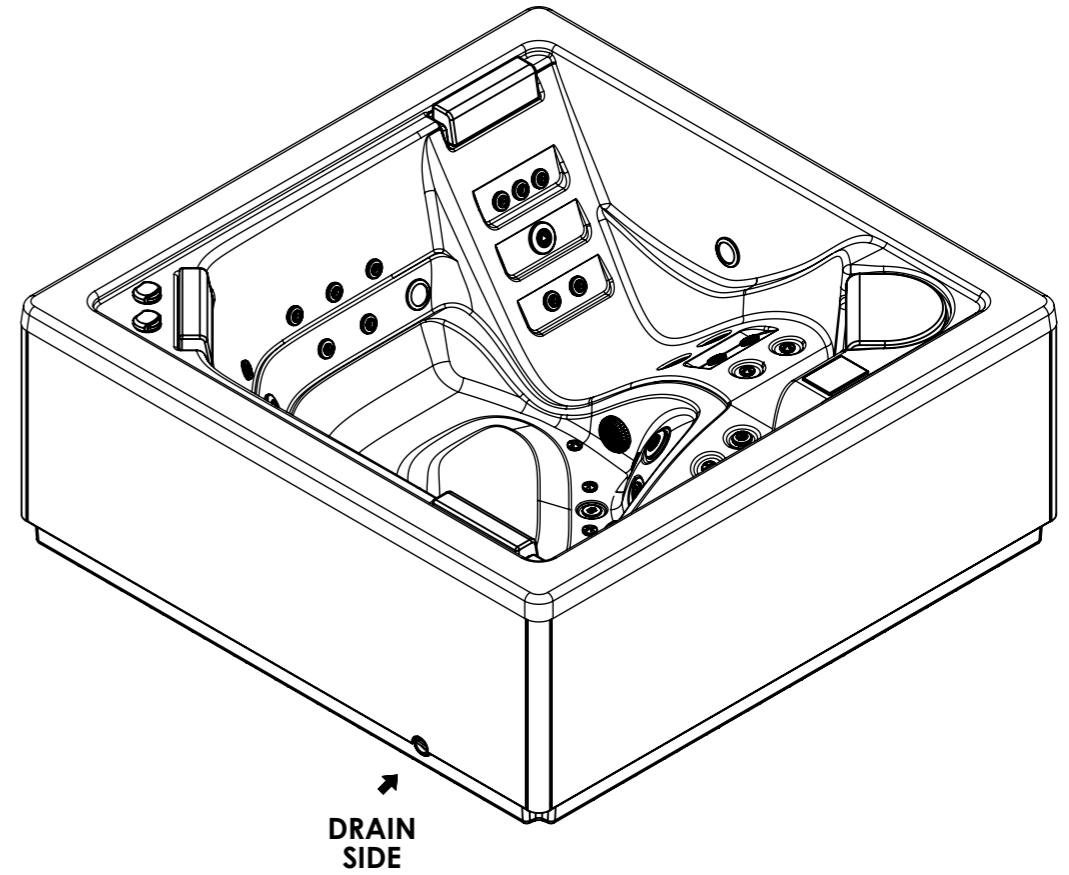
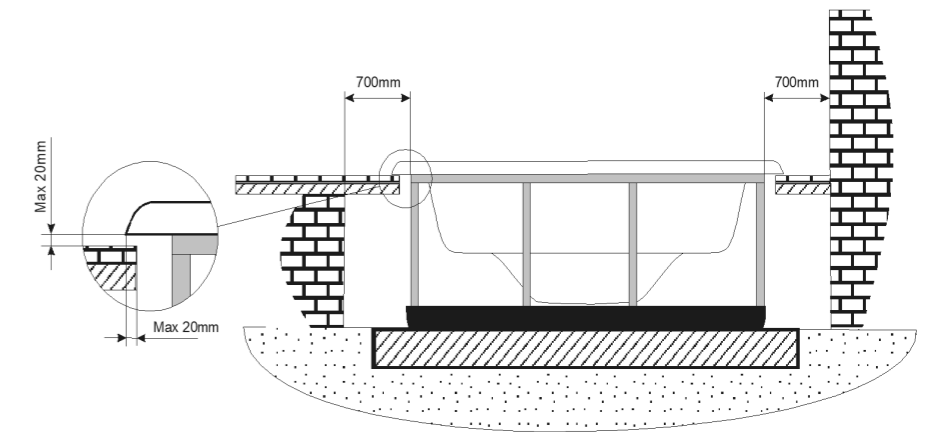


↑
DRAIN
SIDE

↑
ELECTRICAL BOARD CONNECTIONS ACCESS
↑



WARNING:
It's essential to keep a minimum clearance access of **700mm** all around.



According to our policy of continuous improvement, dimensions, features or components of this product can be partially or completely changed without prior notice.
It's Customer responsibility to verify that this is the last version of the drawing

Revision	Date	Fecha	Name	Nombre	Modification	Modificación
01	03/04/2023		A.Miquel		Dos jets 2" añadidos a la tumbona 1	
02	18/04/2023		A. Miquel		2 boquillas soplantes eliminadas del fondo del spa.	

Dimensions in mm. General Tolerances +/- 10mm			COMMERCIAL			
Drawn	Date	Name	Iberspa	Code 75385	Rev. 02	Size A3 First Angle Projection
Checked	02/12/2021	CF				
Scale	18/04/2023	X. Codina				
Sheet	1:15	General Tolerance DIN 7168 ISO 2768g				