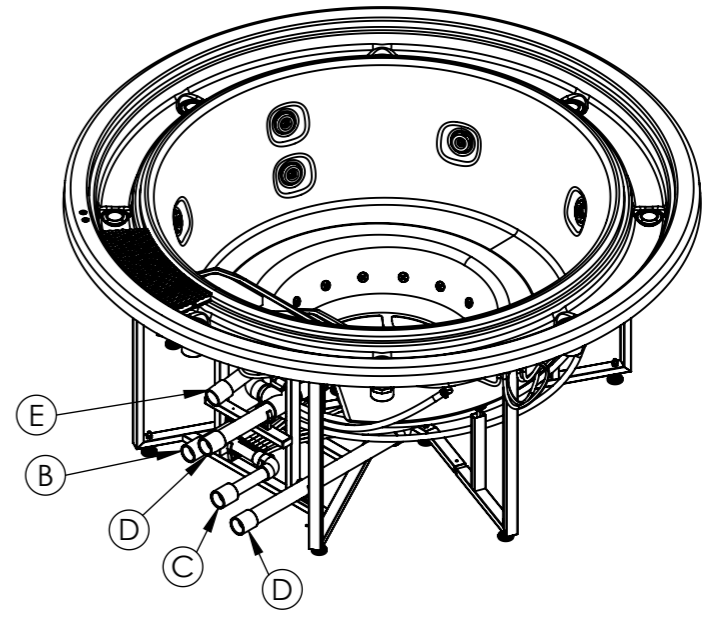
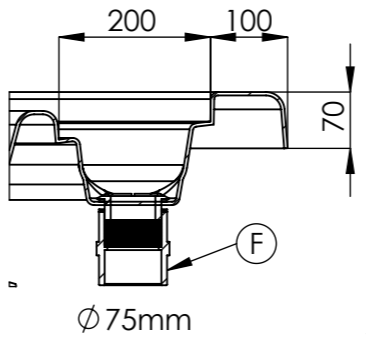
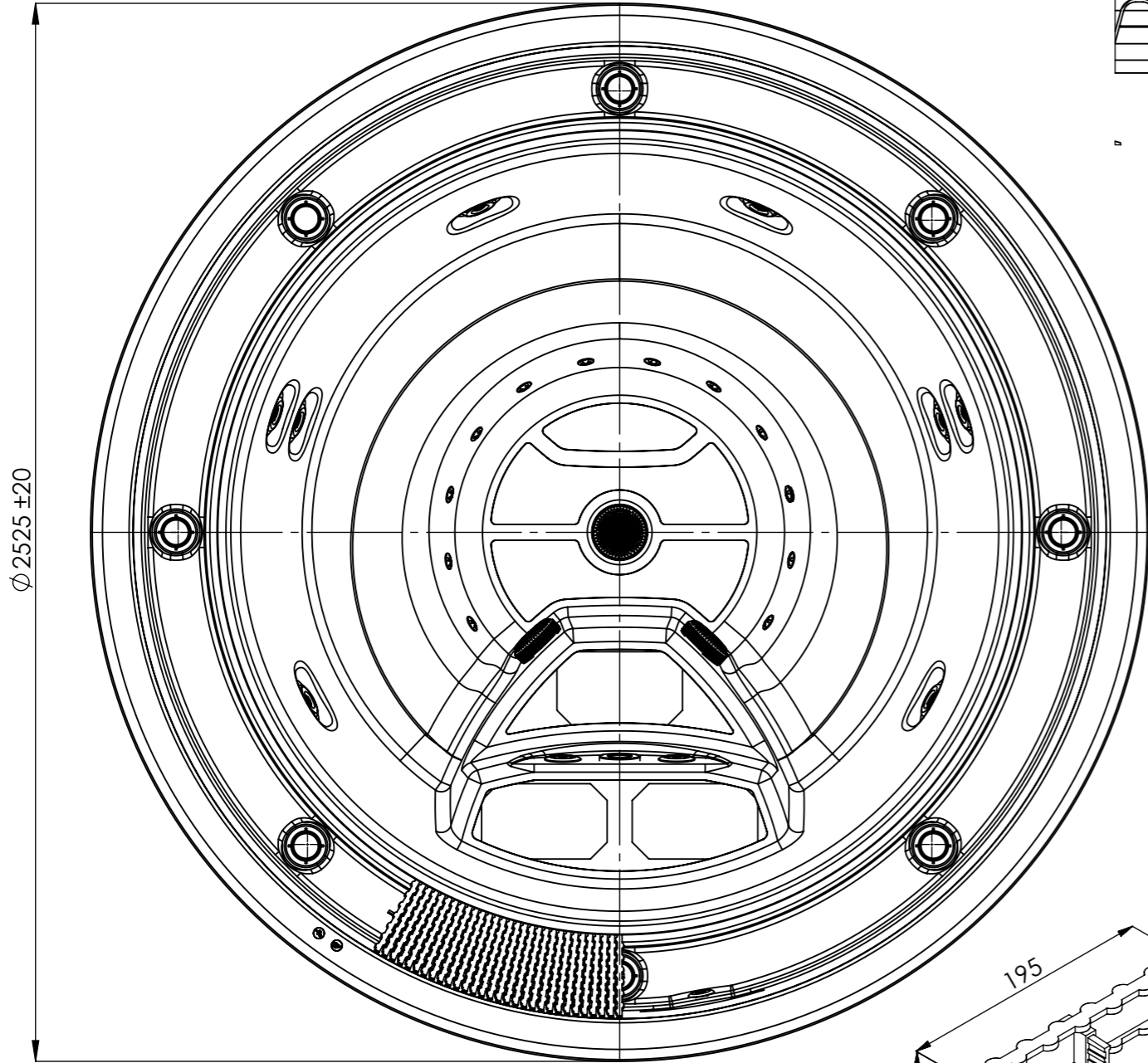
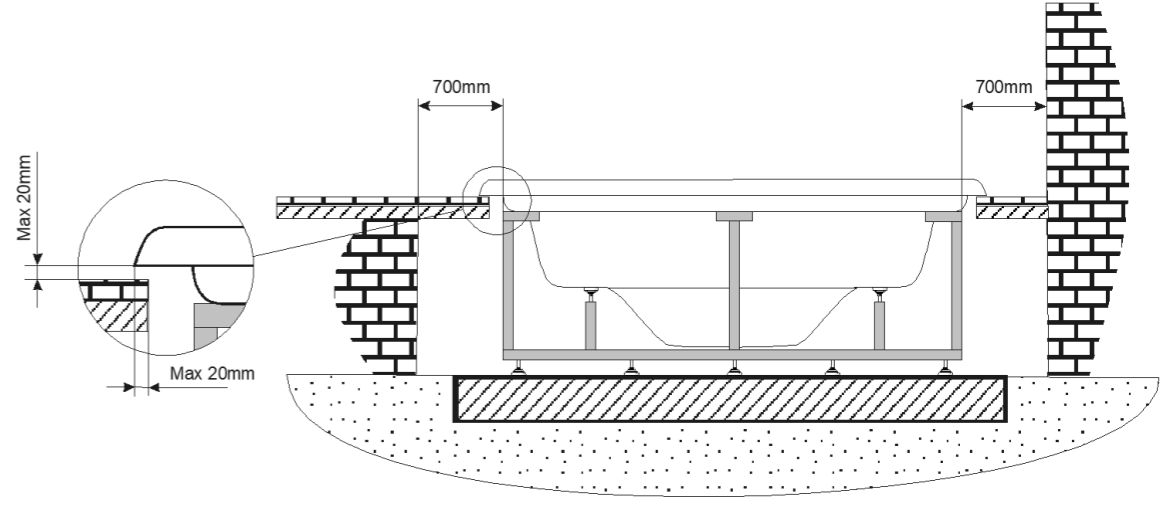


		41453	43743
A	Suction-Water Massage Pump 1	2" BSP FEMALE THREAD	2" BSP FEMALE SOLVENT SOCKET
B	Return-Water Massage Pump 1	2" BSP FEMALE THREAD	2" BSP FEMALE SOLVENT SOCKET
C	Return-Air Massage	2" BSP FEMALE THREAD	2" BSP FEMALE SOLVENT SOCKET
D	Suction/Return-Filtration Pump Bottom Spa	2" BSP FEMALE THREAD	2" BSP FEMALE SOLVENT SOCKET
E	Return-Filtration Pump Inlets	2" BSP FEMALE THREAD	2" BSP FEMALE SOLVENT SOCKET
F	Overflow Drains (8x)	Ø 75mm SOLVENT SOCKET	Ø 75mm SOLVENT SOCKET
G	Light	1 u.	1 u.



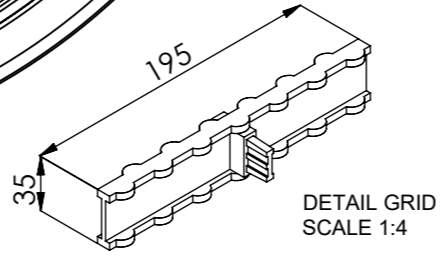
WARNING:
It's essential to keep a minimum clearance access of **700mm** all around. Minimum depth of spa hole **920 mm**.



According to our policy of continuous improvement, dimensions, features or components of this product can be partially or completely changed without prior notice.
It's Customer responsibility to verify that this is the last version of the drawing.

Revision	Date	Fecha	Name	Nombre	Modification	Modificaci3n
06	05/05/2020		A. Miquel		New spa mould 2020	
07	16/04/2024		A Arconada		Actualitzem plantilla plànol	

↑ ↑
HYDRAULIC CONNECTIONS ACCESS



Dimensions in mm. General Tolerances +/- 10mm			COMMERCIAL PUBLIC RANGE		
Date	Name		Code	Rev.	Size
Drawn 05/05/2020	A. Miquel		41453 43743	07	A3
Checked 16/04/2024	X. Codina				
Scale 1:15	General Tolerance				
Sheet 1/1	DIN 7168 ISO 2768g				