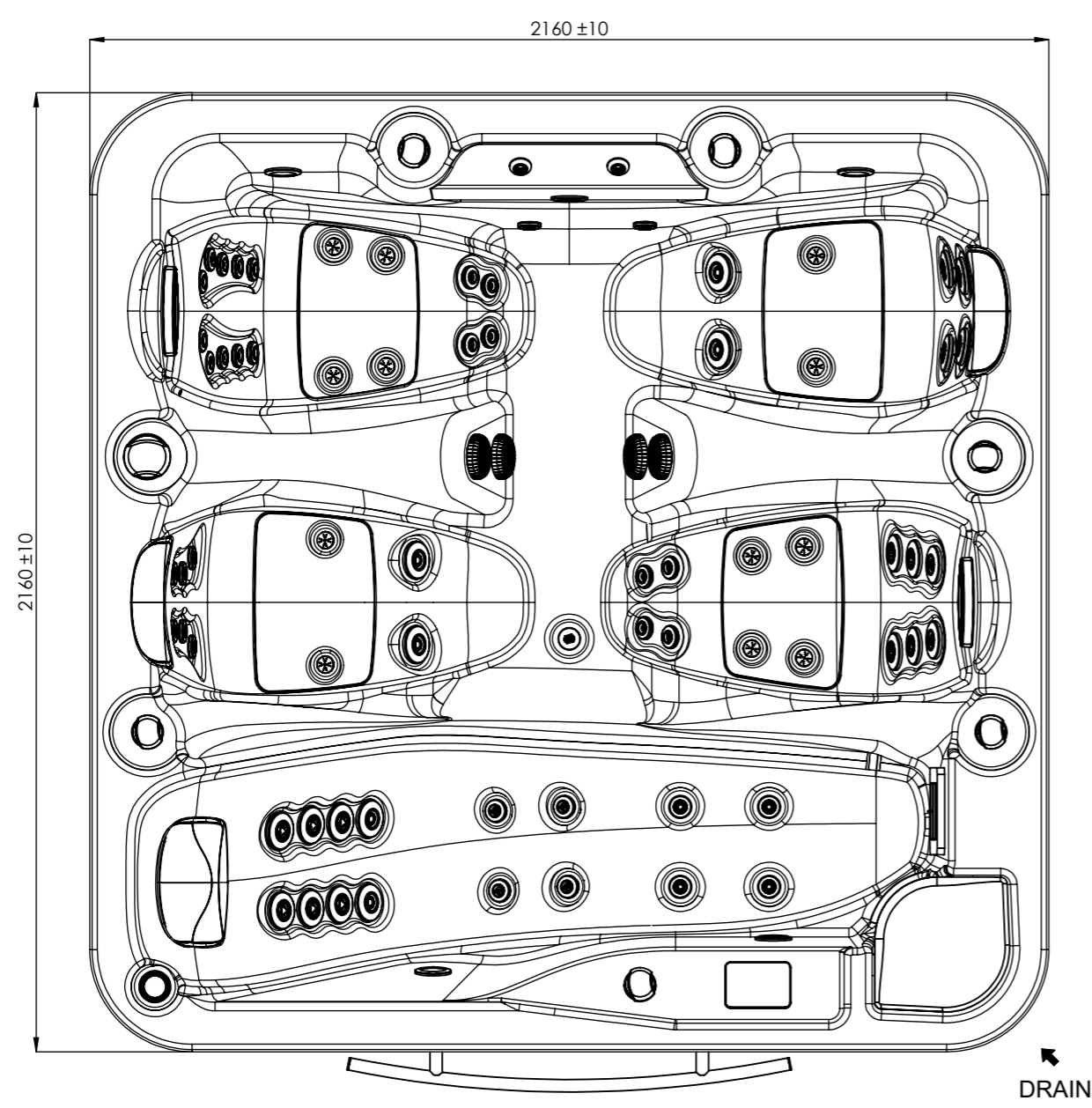
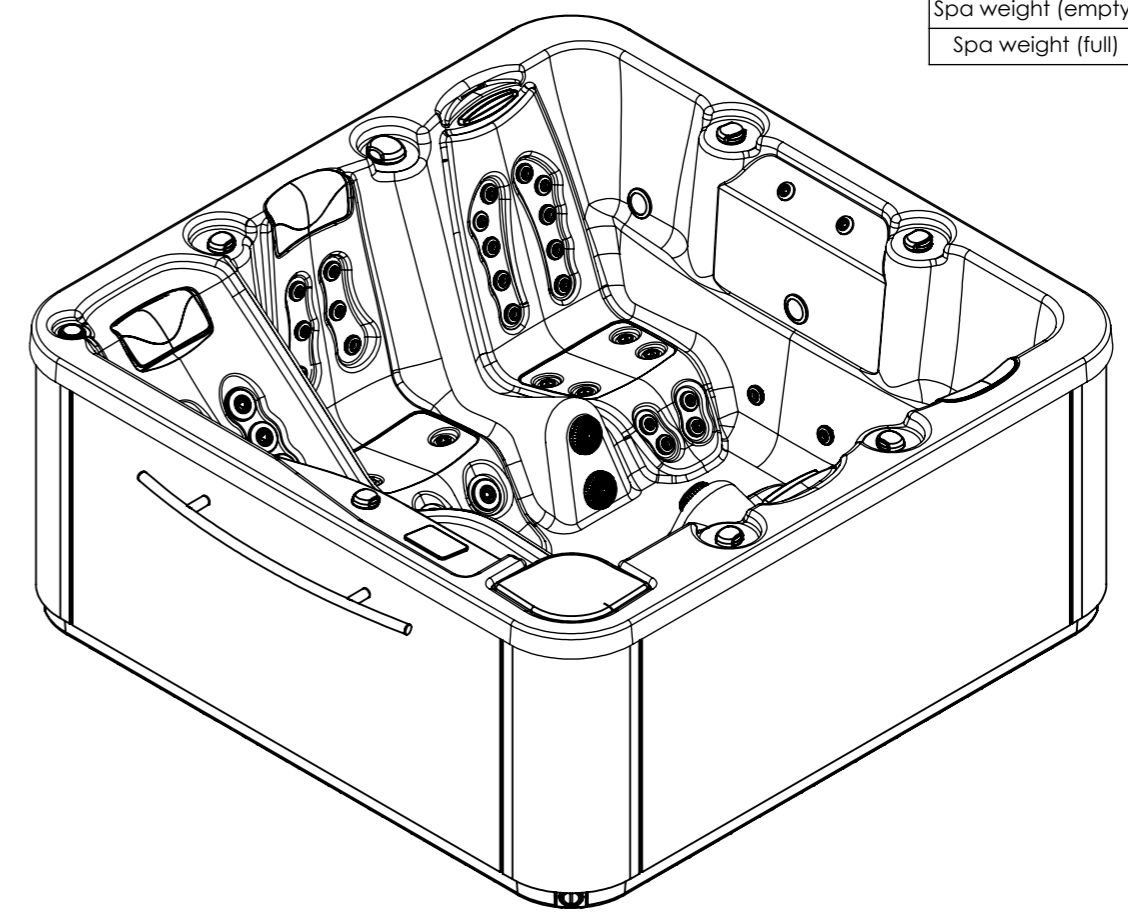
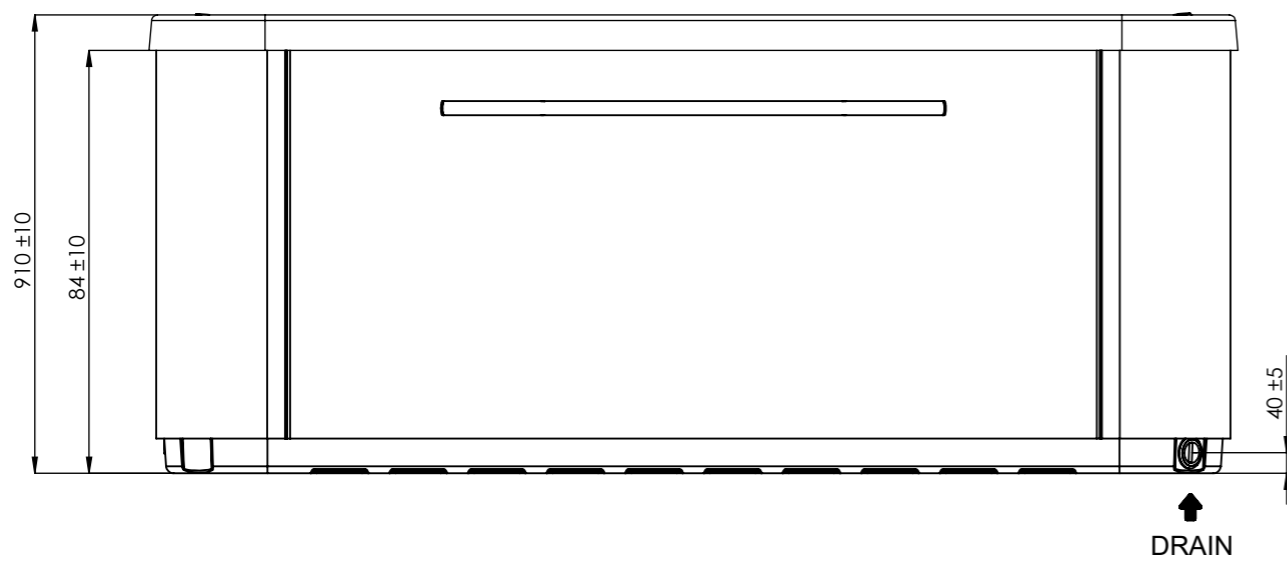
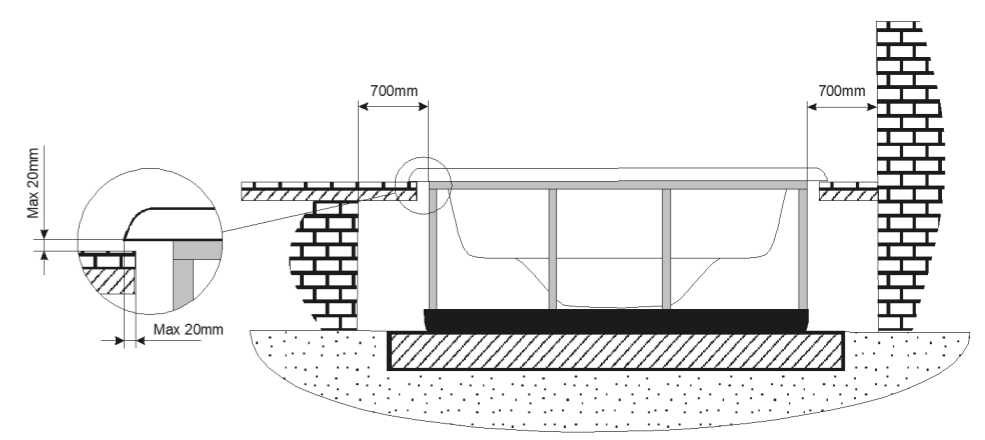


General specifications	
Spa weight (empty)	306 Kg
Spa weight (full)	1.486 Kg



**Inground option**

**WARNING:**  
It's essential to keep a minimum clearance access of **700mm** all around.



According to our policy of continuous improvement, dimensions, features or components of this product can be partially or completely changed without prior notice.  
It's Customer responsibility to verify that this is the last version of the drawing

05	04/12/2018	D.Castillo	Spa weight added.
04	03/07/2018	A.Miquel	Jets changed (CMP)
03	09/05/2017	O. Faura	Changing of electronic parts references.
02	09/06/2016	I.Pozo	Change blower pump and add audio
06	31/01/2020	A.Miquel	Spa drain position changed.
Change No.	Date	Name	Modification

Remarks		COMMERCIAL	
Dimensions in mm. General Tolerances +/- 10mm			
Drawn	13/01/2016	I.Pozo	Part Number <b>66031</b>
Checked		V.Saiz	
Scale 1:15	General Tolerance DIN 7168 ISO 2768g		Rev. <b>06</b>
Sheet 1/3			
		<b>IBERSPA</b>	First Angle Projection