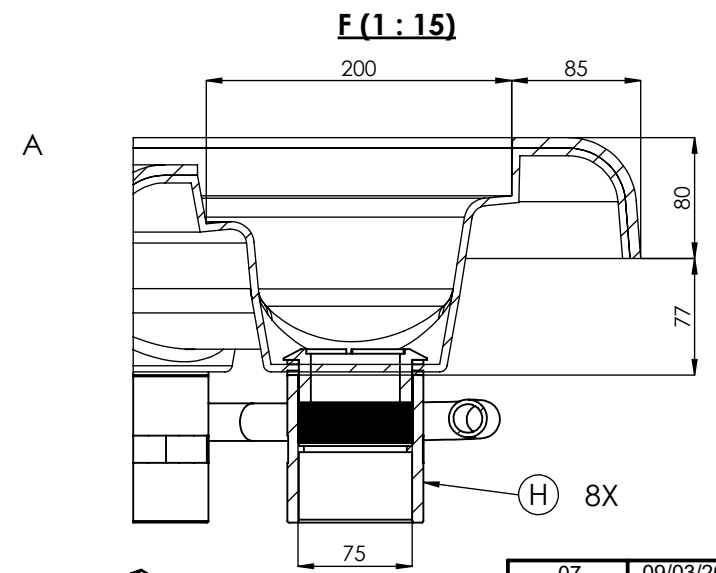
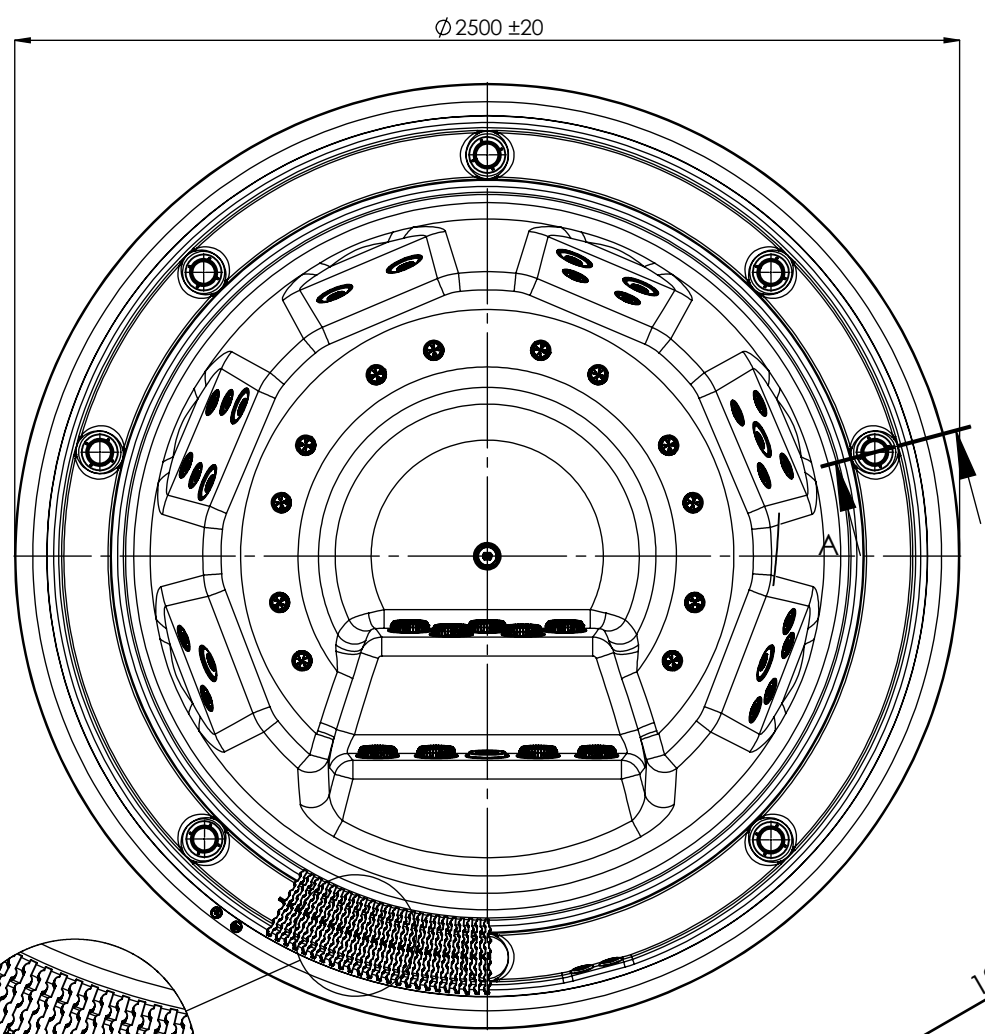
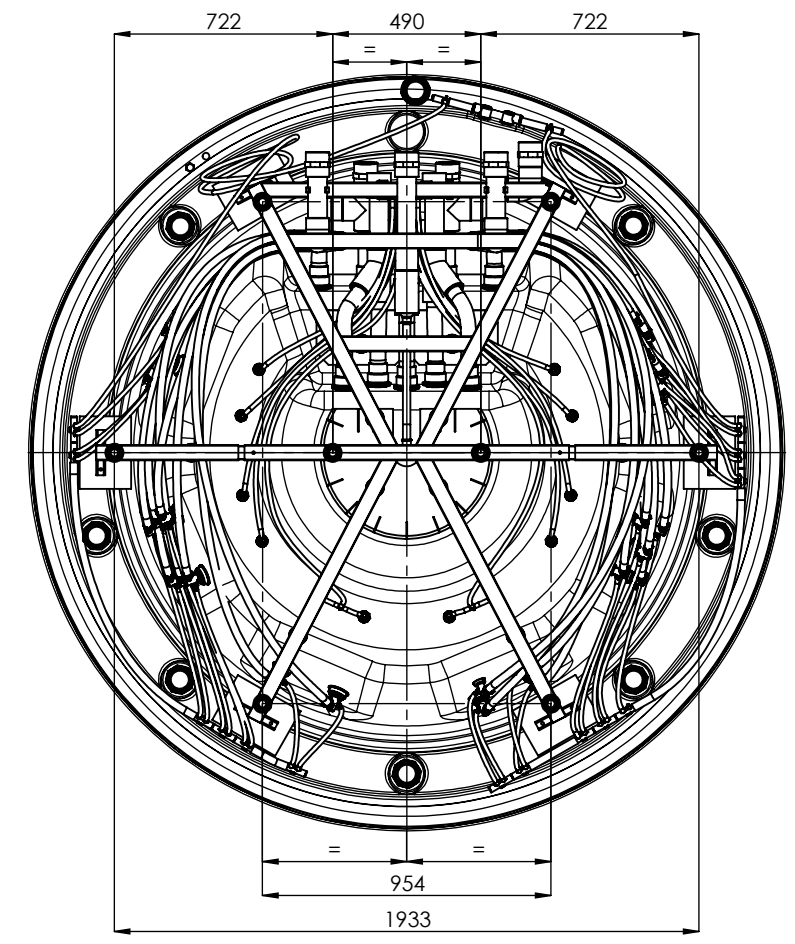
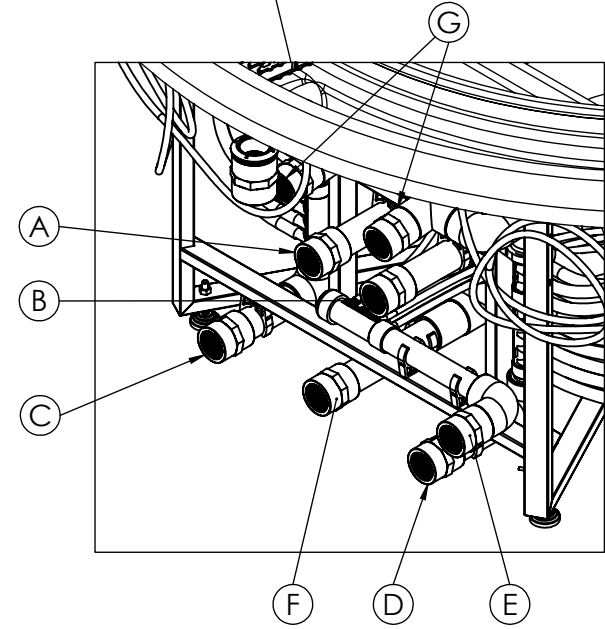
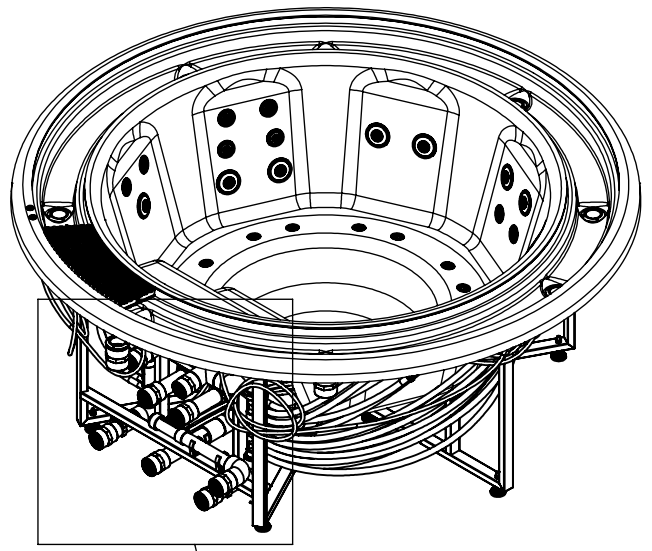
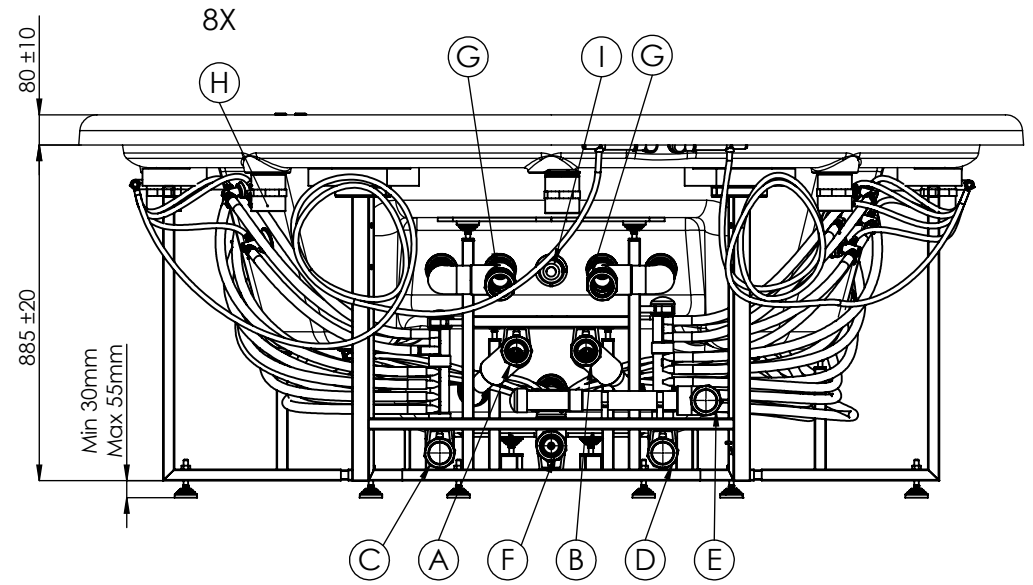
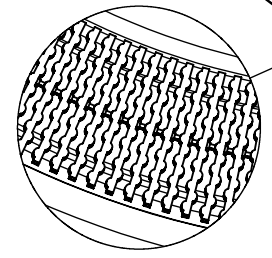
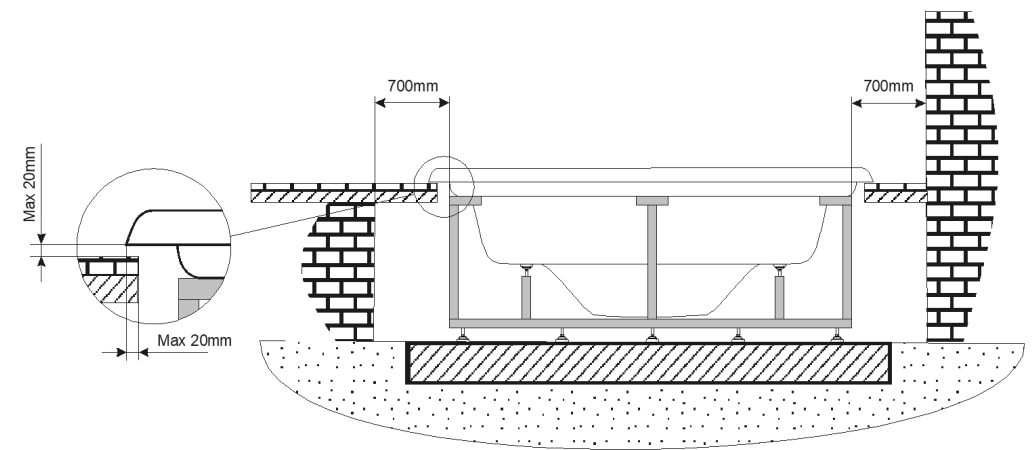


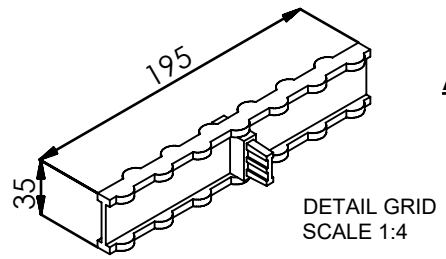
A	Suction-Water Massage Pump 1	2" BSP FEMALE THREAD
B	Suction-Water Massage Pump 2	2" BSP FEMALE THREAD
C	Jets-Water Massage Pump 1	2" BSP FEMALE THREAD
D	Jets-Water Massage Pump 2	2" BSP FEMALE THREAD
E	Return-Air Massage	2" BSP FEMALE THREAD
F	Suction/Return-Filtration Pump Bottom Spa	2" BSP FEMALE THREAD
G	Return-Filtration Pump Inlets	2" BSP FEMALE THREAD
H	Overflow Drains (8x)	Ø 75 FEMALE SOCKET
I	Light	



WARNING:
It's essential to keep a minimum clearance access of 700mm all around. Minimum depth of spa hole 950 mm.



↑ ↑
HYDRAULIC CONNECTIONS ACCESS



Change No.	Date	Name	Modification
07	09/03/2021	A.Miquel	New mould 2021
06	20/06/2016	I.Pozo	Change drain diameter
05	02/03/2016	I.Pozo	Change light and drain. Add table
04	09/06/2014	I.Pozo	New spare template
03	26/05/2014	I.Pozo	New Templates

Remarks			COMMERCIAL	
Dimensions in mm. General Tolerances +/- 10mm			Part Number	Rev.
Drawn	13/05/2009	M.Baraut	44630-AV	07
Checked	13/05/2009	A.Deu		
Scale	1:20	General Tolerance		
Sheet	1/3	DIN 7168 ISO 2768g		

According to our policy of continuous improvement, dimensions, features or components of this product can be partially or completely changed without prior notice. It's Customer responsibility to verify that this is the last version of the drawing.