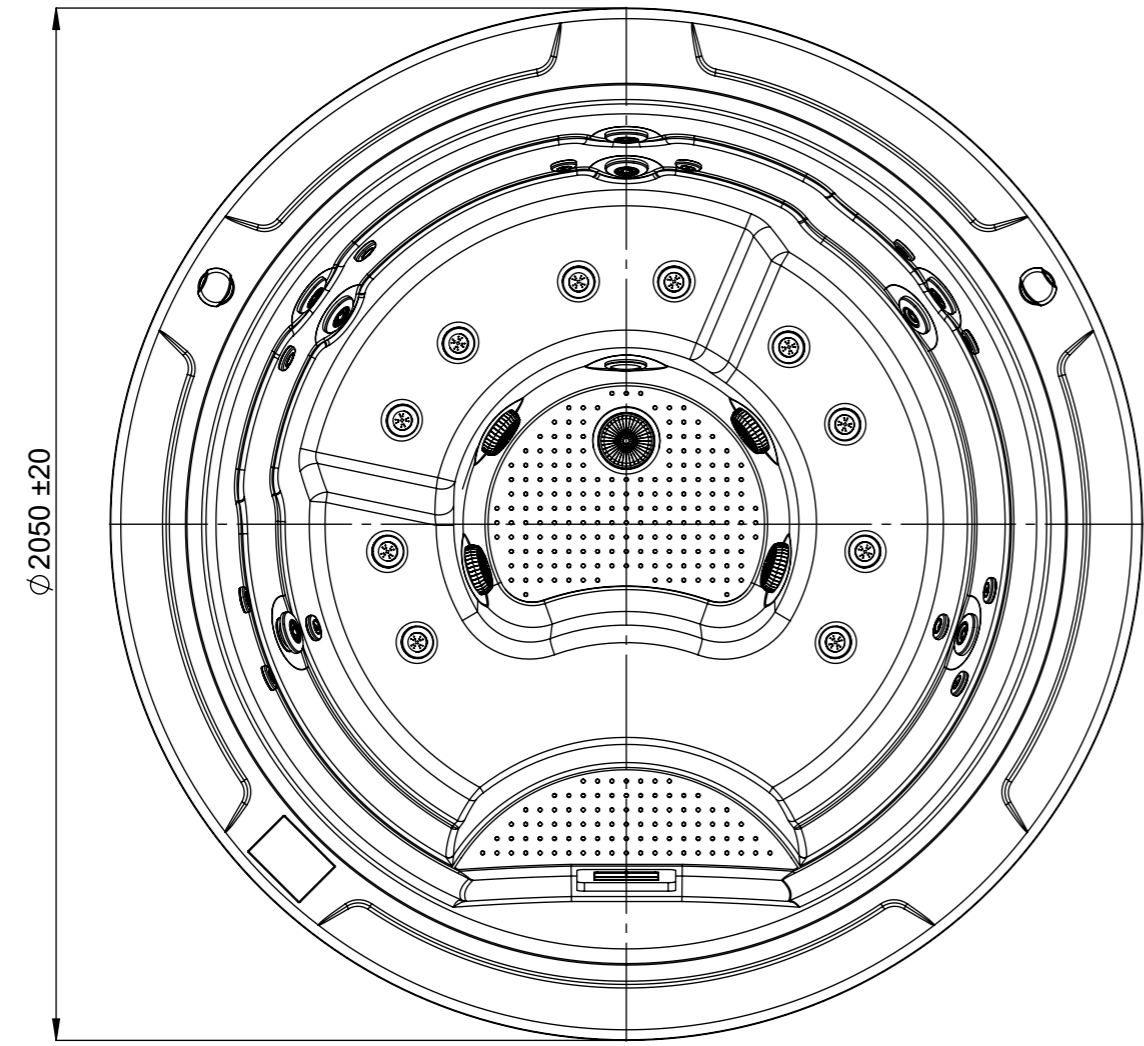
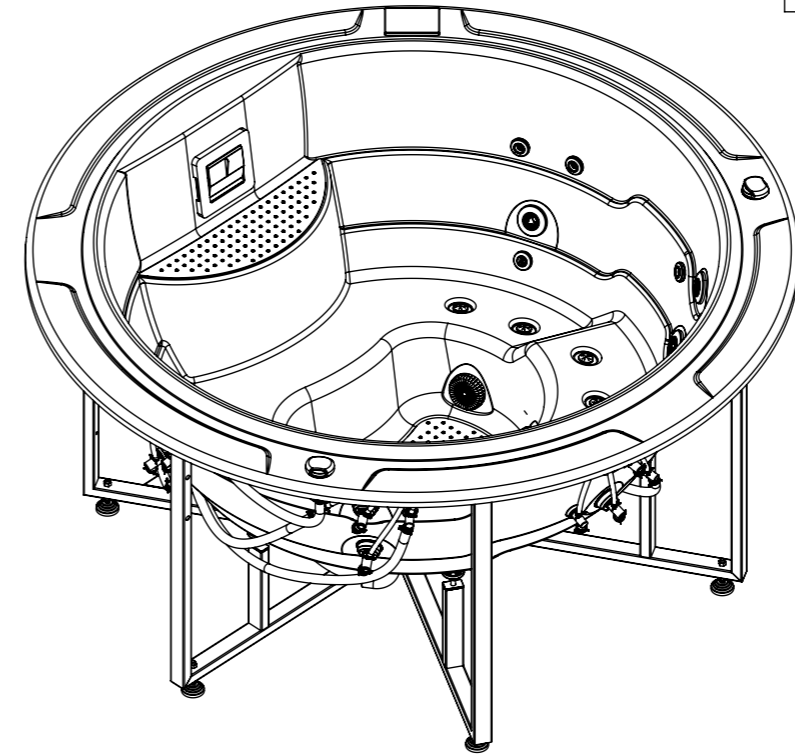
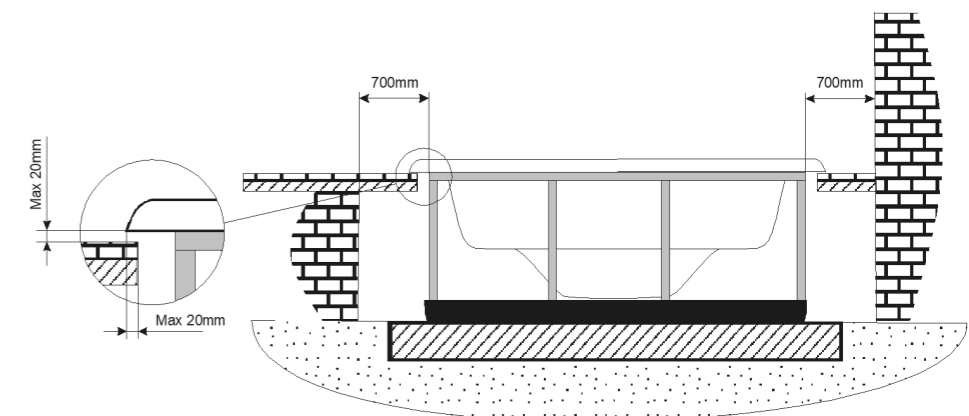


A	Suction-Water Massage Pump 1	Ø 63 FEMALE SOCKET
B	Return-Water Massage Pump 1	Ø 63 FEMALE SOCKET
C	Return-Air Massage	Ø 63 FEMALE SOCKET
D	Suction-Filtration Pump Bottom Spa	Ø 63 FEMALE SOCKET
E	Return-Filtration Pump Inlets	Ø 63 FEMALE SOCKET



**WARNING:**  
It's essential to keep a minimum clearance access of **700mm** all around.



According to our policy of continuous improvement, dimensions, features or components of this product can be partially or completely changed without prior notice.  
It's Customer responsibility to verify that this is the last version of the drawing.

Revision	Date	Fecha	Name	Nombre	Modification	Modificación
08	28/09/2020		A. Miquel		Sumidero de seguridad añadido.	
09	15/04/2024		A Arconada		Actualitzem plantilla plànol	

Dimensions in mm. General Tolerances +/- 10mm			<b>COMMERCIAL</b>			
Drawn	Date	Name		Code <b>49859</b>	Rev. <b>09</b>	Size <b>A3</b>
Checked	15/04/2024	X. Codina				
Scale 1:15	General Tolerance					
Sheet 1/1	DIN 7168 ISO 2768g					

General specifications	
Spa weight (empty)	132 Kg
Spa weight (full)	812 Kg

↑                      ↑  
HYDRAULIC CONNECTIONS ACCESS