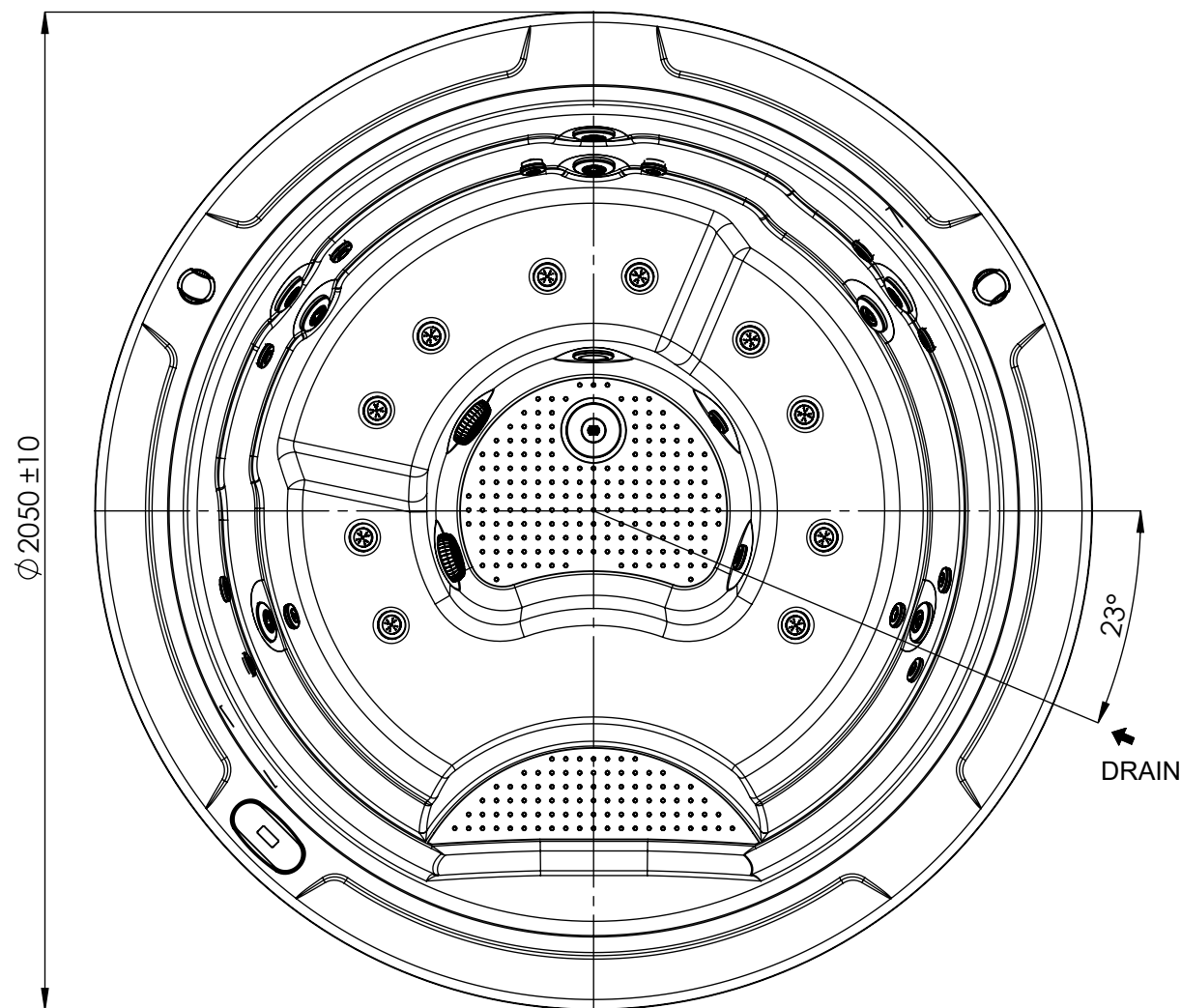
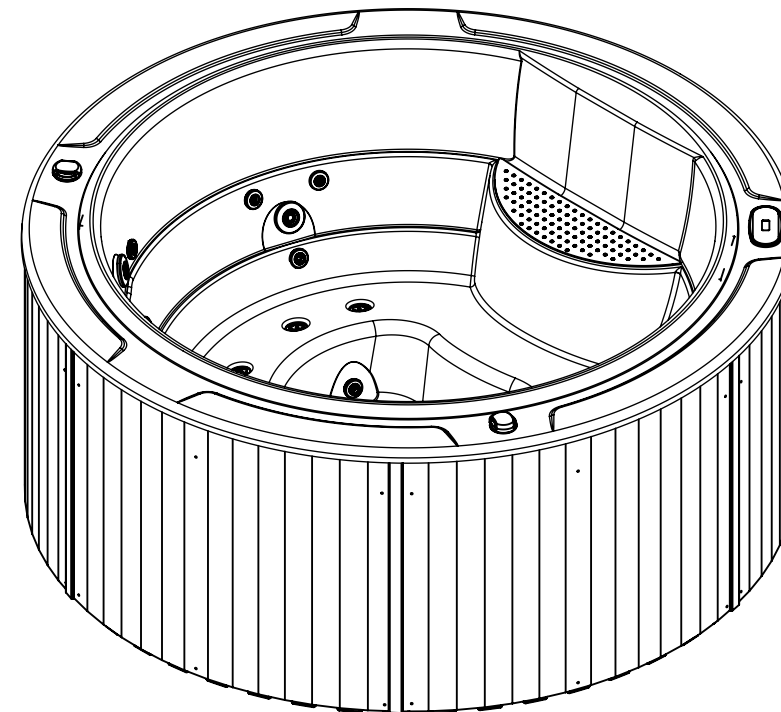
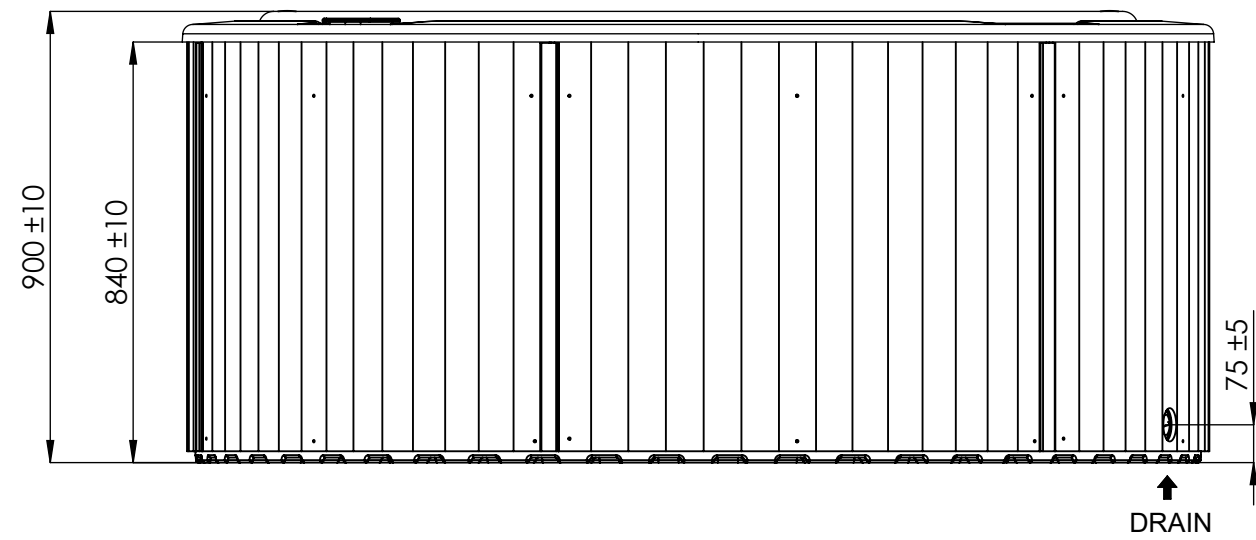
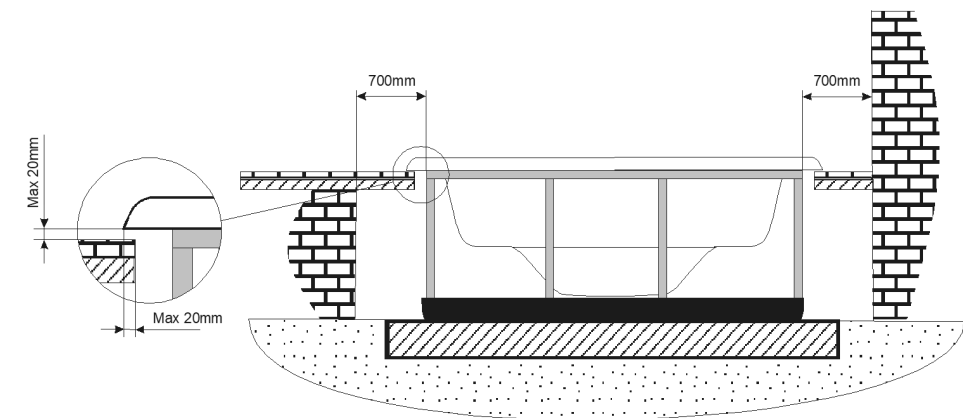


General specifications	
Spa weight (dry)	260 kg
Spa weight (filled)	920 kg



**WARNING:**  
It's essential to keep a minimum clearance access of **700mm** all around.



↑ ↑  
ELECTRICAL BOARD CONNECTIONS ACCESS

According to our policy of continuous improvement, dimensions, features or components of this product can be partially or completely changed without prior notice.  
It's Customer responsibility to verify that this is the last version of the drawing.

Revision	Date	Fecha	Name	Nombre	Modification	Modificació
08	19/11/2020		A. Miquel		Updated.	
09	04/08/2023		Paula S.		S'afegeix la posició del desaiigua	

Dimensions in mm. General Tolerances +/- 10mm			<b>COMMERCIAL</b>		
Drawn	Date	Name	<b>iberspa</b>	Code	Rev.
Checked	04/08/2023	J. Jorba			
Scale	1:15	General Tolerance	First Angle Projection		Size <b>A3</b>
Sheet	1/1	DIN 7168 ISO 2768g			