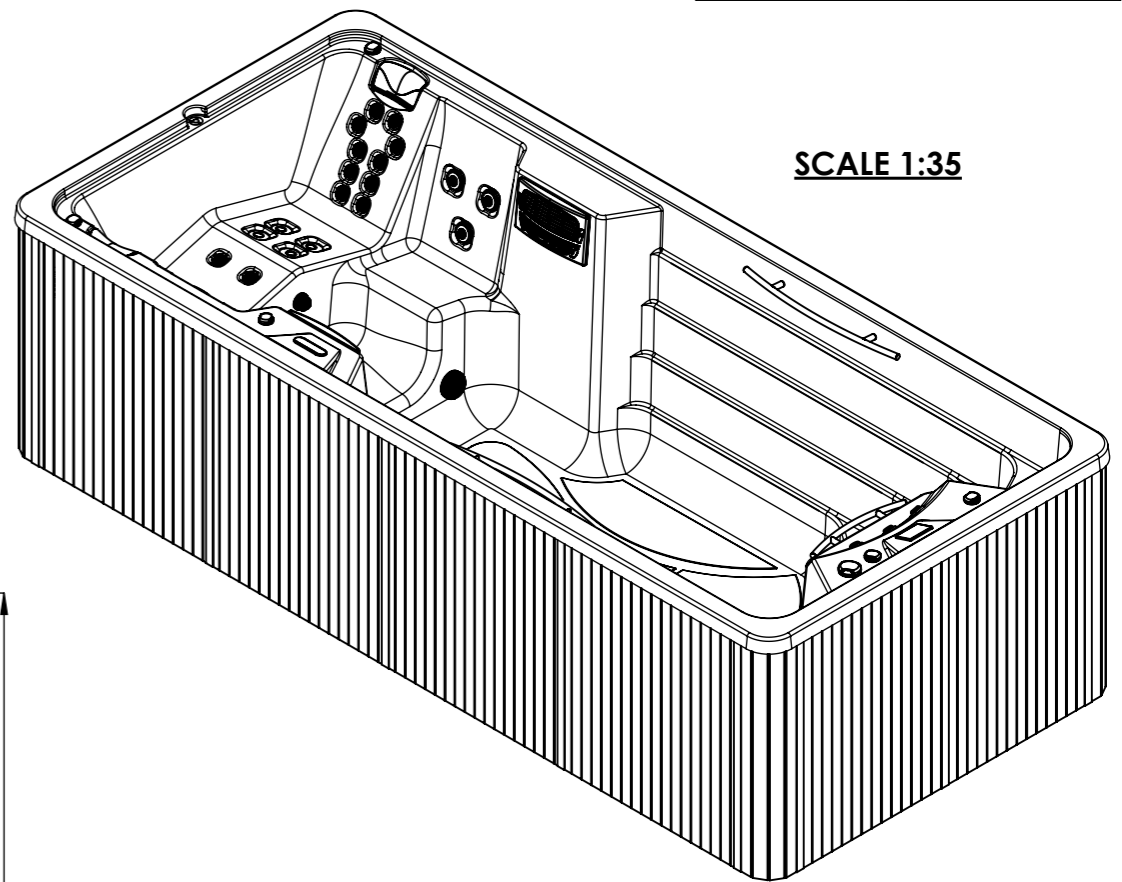
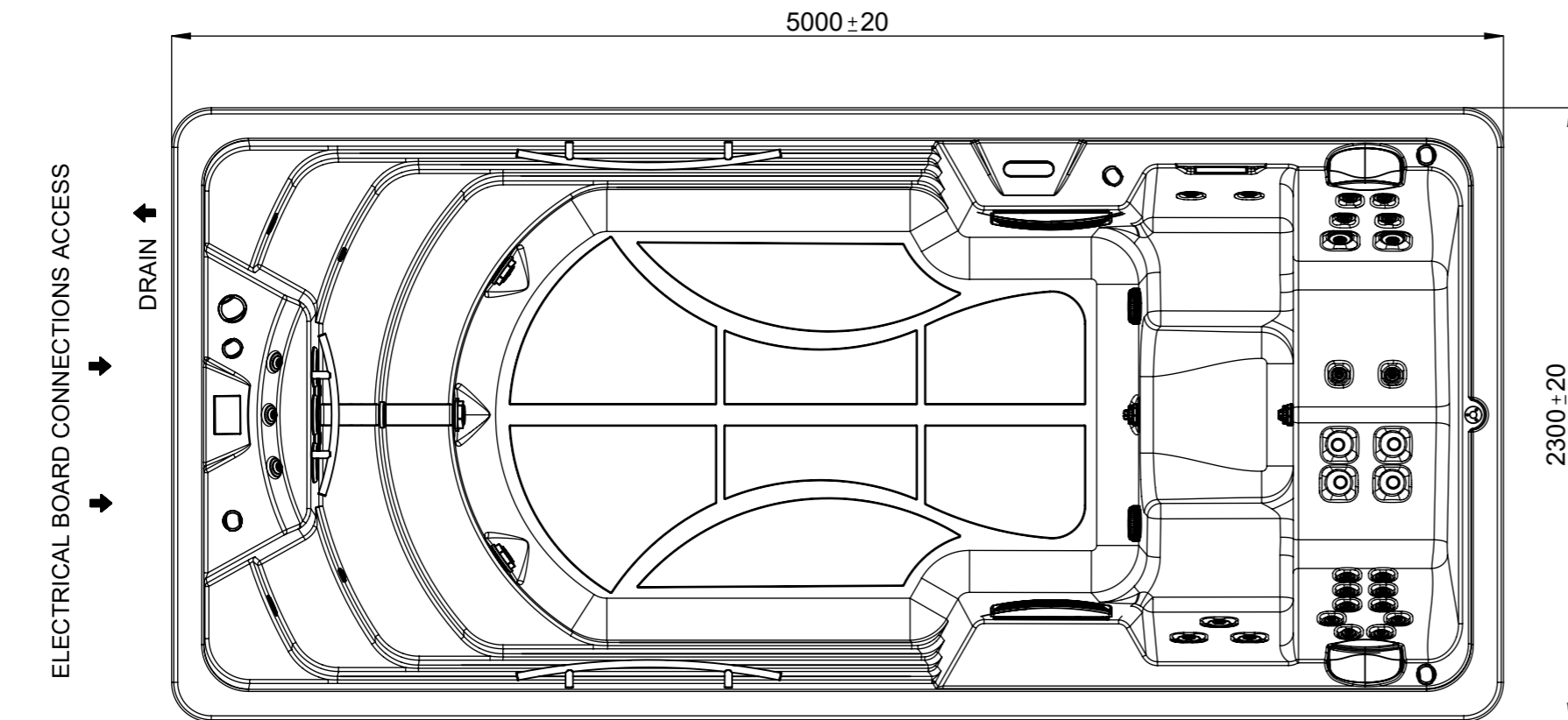
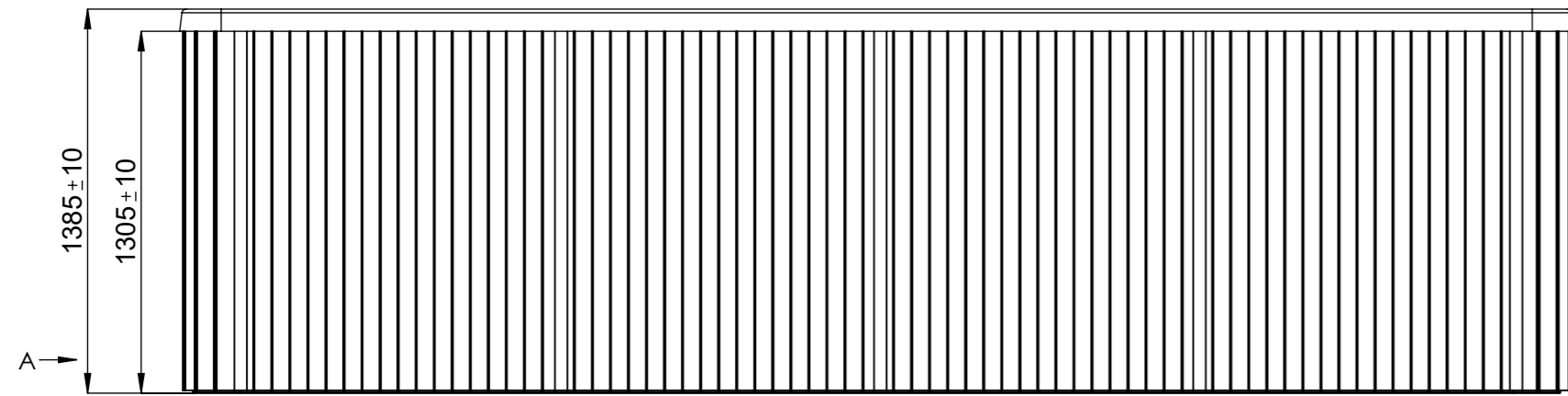
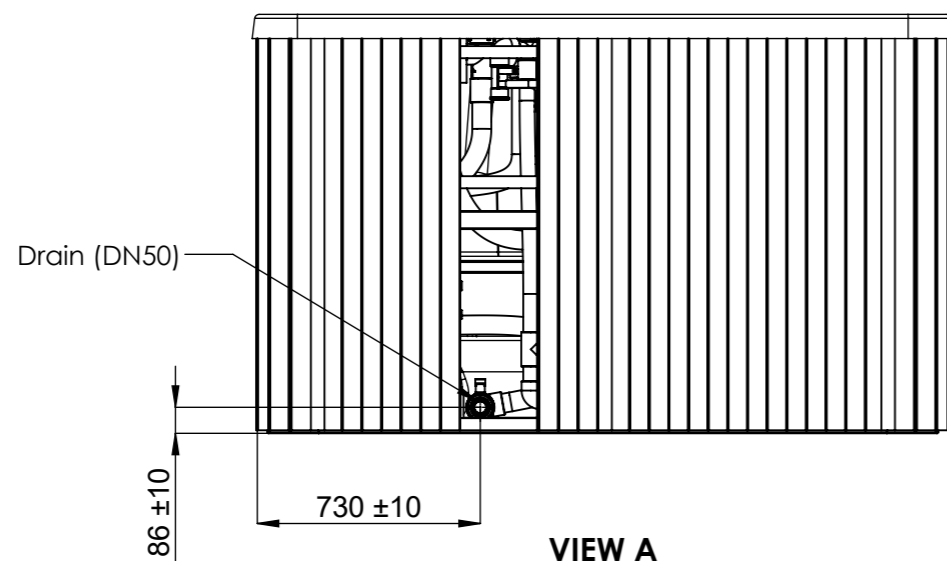
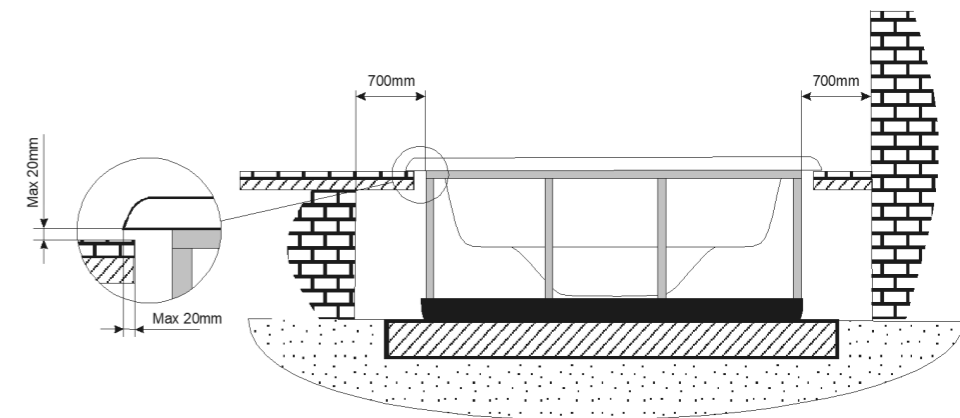


General specifications	
Spa weight (empty)	1.200 Kg
Spa weight (full)	9.700 Kg



WARNING:
It's essential to keep a minimum clearance access of **700mm** all around.



According to our policy of continuous improvement, dimensions, features or components of this product can be partially or completely changed without prior notice.
It's Customer responsibility to verify that this is the last version of the drawing.

Revision	Date	Fecha	Name	Nombre	Modification	Modificació
06	25/08/2020		ERDS (OF)		Changes due to new spa design	
07	30/10/2023		A Arconada		Afegim pla inclinat botoneres	
08	31/10/2023		Anna A.		Modificació peu document	

Dimensions in mm. General Tolerances +/- 10mm			COMMERCIAL		
Drawn	Date	Name	Code	Rev.	Size
Checked	08/05/2014	C. F.	64414-AV	08	A3
Scale 1:25	31/10/2023	X. Codina			
Sheet 1/1	General Tolerance DIN 7168 ISO 2768g				
First Angle Projection					